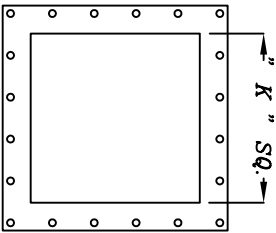
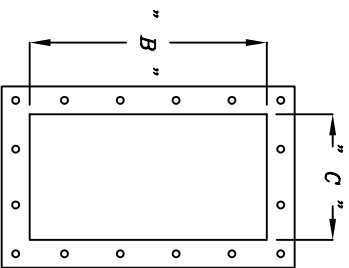


CYC	A	B	C	D	E	F	G	H	I	J	K	L	M	N	O
12	1'-0"	8"	4"	5"	10"	1'-9"	3'-0"	2'-2 1/2"	1'-6"	8"	5 1/2"	8"	6"	3"	6'-1 1/2"
14	1'-2"	9"	4 3/4"	6"	1'-0"	2'-1"	3'-6"	2'-7"	1'-9"	9"	6 1/2"	9"	7"	4"	7'-2"
16	1'-4"	10"	5 1/2"	7"	1'-1"	2'-5"	4'-0"	2'-9"	1'-11"	11"	7 1/2"	10"	7 1/2"	6"	7'-11"
18	1'-6"	1'-0"	6"	8"	1'-3"	2'-8"	4'-6"	2'-11"	1'-11"	1'-0"	8 1/2"	11"	8 1/2"	6"	8'-8"
20	1'-8"	1'-1"	6 3/4"	9"	1'-4"	3'-0"	5'-0"	3'-1"	1'-11"	1'-1"	9 1/4"	1'-0"	9"	6"	9'-5"
22	1'-10"	1'-2"	7 1/2"	10"	1'-6"	3'-4"	5'-6"	3'-3"	1'-2"	1'-1"	10"	1'-1"	9 1/2"	6"	10'-2"
24	2'-0"	1'-4"	8"	11"	1'-7"	3'-7"	6'-0"	3'-5"	2'-0"	1'-3"	11 1/2"	1'-2 1/2"	10 1/2"	6"	10'-11 1/2"
26	2'-2"	1'-5"	9"	1'-0"	1'-9"	4'-0"	6'-6"	3'-6"	1'-11 1/2"	1'-4"	1'-0"	1'-3"	11"	6"	11'-7"
28	2'-4"	1'-6"	9"	1'-0"	1'-10"	4'-3"	7'-0"	3'-8"	1'-11 1/2"	1'-5"	1'-1"	1'-4"	11 1/2"	6"	12'-4"
30	2'-6"	1'-8"	10"	1'-1"	2'-0"	4'-6"	7'-6"	3'-10"	2'-1 1/2"	1'-6"	1'-2"	1'-5"	1'-0"	8"	13'-1"
32	2'-8"	1'-9"	11"	1'-2"	2'-2"	4'-10"	8'-0"	3'-11"	2'-1"	1'-7"	1'-3"	1'-6"	1'-1"	8"	13'-9"
34	2'-10"	1'-10"	11"	1'-3"	2'-3"	5'-0"	8'-6"	4'-1"	2'-1"	1'-8"	1'-4"	1'-7"	1'-1 1/2"	8"	14'-6"
36	3'-0"	1'-11"	1'-0"	1'-4"	2'-5"	5'-5"	9'-0"	4'-3"	2'-1"	1'-9"	1'-5"	1'-8"	1'-2"	8"	15'-3"
38	3'-2"	2'-1"	1'-1"	1'-5"	2'-6"	5'-8"	9'-6"	4'-5"	2'-1 1/2"	1'-10"	1'-6"	1'-9"	1'-3 1/2"	8"	16'-0"
40	3'-4"	2'-2"	1'-1"	1'-6"	2'-8"	6'-0"	10'-0"	4'-7"	2'-2"	1'-11"	1'-6 1/2"	1'-9 1/2"	1'-4"	8"	16'-8 1/2"



OUTLET FLANGE  
3/8" THK. CSTL



INLET FLANGE  
3/8" THK. CSTL

OPTIONS AND ORIENTATIONS

PLATFORM	*	ROTARY VALVE	*
LADDER	*	INSR. OPENING	*
SLIDE GATE	*	INTERIOR PAINT	*
INLET	*	LEGS	*
OUTLET	*	VIBRATOR	*

NOTES:

- 1) DESIGN PRESSURE UP TO +/- 20" W.G.
- 2) SHOP PAINT IS ONE COAT OF DIRECT-TO-METAL ENAMEL SERIES 35, COLOR (SWB55W101SHG) ULTRA GRAY @ 1-1/2 MILS D.F.T. EXT. SURFACES.
- 3) SADDLE SUPPORTS ARE USED ON ALL MODELS WITH LEGS.

REV.	DESCRIPTION	DATE BY

UNITS \_\_\_\_\_ TOLERANCES \_\_\_\_\_  
 UNLESS OTHERWISE SPECIFIED, ALL FRACTIONAL ± 1/8"  
 DIMENSIONS ARE IN FEET & INCHES. ANGULAR ± 5°

THIS MATERIAL IS THE SOLE PROPERTY OF ULTRA INDUSTRIES INC. AND SHALL NOT BE REPRODUCED, PUBLISHED OR DISCLOSED TO ANYONE WITHOUT OBTAINING THE WRITTEN AUTHORIZATION OF ULTRA INDUSTRIES INC.  
 NO BACKLOGS FOR FIELD RELATED WORK OF ANY KIND WILL BE ACCEPTED UNLESS FIRST REQUESTED AND AGREED TO WITH WRITTEN AUTHORIZATION FROM ULTRA INDUSTRIES INC.

**ULTRA**

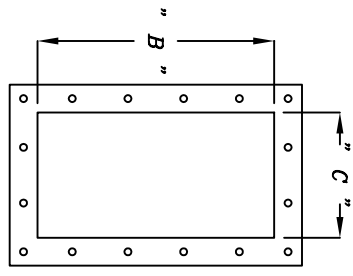
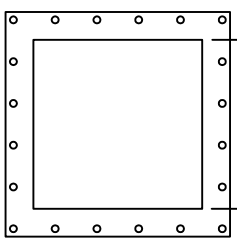
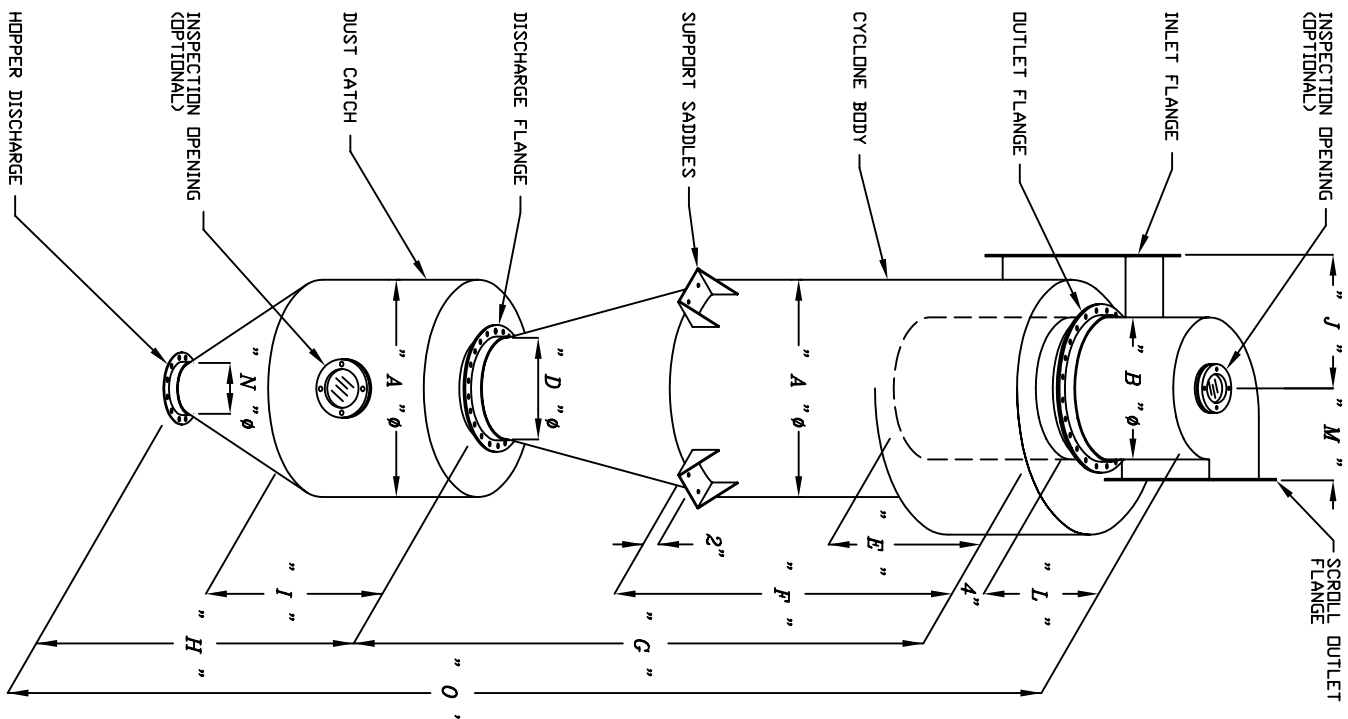
ULTRA INDUSTRIES, INC.  
 1908 DEKORN AVE. RACINE, WISCONSIN 53403  
 PHONE: 414/833-5070 FAX: 414/833-5102

FOR SPARE PARTS, CALL: 1-800-350ULTRA

SCALE: NONE SERIAL NO. ARRANGEMENT III DRAWN BY: MID  
 DATE: 3-17-97 APPROVED BY:

CYCLONE GENERAL DIMENSIONS

MODEL: CYC 12 - 40 III DRAWING NUMBER: CYC-12-40 III REV.: 0



CYC	A	B	C	D	E	F	G	H	I	J	K	L	M	N	O
42	3'-6"	2'-3"	1'-2"	1'-6"	2'-10"	6'-4"	10'-6"	4'-9"	2'-2"	2'-0"	1'-7"	1'-10"	1'-4 1/2"	8"	17'-5"
44	3'-8"	2'-5"	1'-3"	1'-7"	2'-11"	6'-7"	11'-0"	4'-10"	2'-2"	2'-1"	1'-9"	2'-0"	1'-5 1/2"	8"	18'-2"
46	3'-10"	2'-6"	1'-3"	1'-8"	3'-1"	7'-0"	11'-6"	5'-0"	2'-2"	2'-2"	1'-10"	2'-1"	1'-6"	8"	18'-11"
48	4'-0"	2'-7"	1'-4"	1'-9"	3'-2"	7'-0"	12'-0"	5'-2"	2'-2"	2'-3"	1'-11"	2'-2"	1'-6 1/2"	8"	19'-8"
50	4'-2"	2'-8"	1'-5"	1'-10"	3'-4"	7'-6"	12'-6"	5'-4"	2'-4"	2'-0"	2'-3"	2'-3"	1'-7"	10"	20'-5"
52	4'-4"	2'-10"	1'-5"	1'-11"	3'-6"	8'-0"	13'-0"	5'-6"	2'-4"	2'-5"	2'-1"	2'-4"	1'-8"	10"	21'-2"
54	4'-6"	2'-11"	1'-6"	2'-0"	3'-7"	8'-0"	13'-6"	5'-8"	2'-4"	2'-6"	2'-2"	2'-5"	1'-8 1/2"	10"	21'-11"
56	4'-8"	3'-0"	1'-7"	2'-1"	3'-9"	8'-5"	14'-0"	5'-10"	2'-5"	2'-7"	2'-3"	2'-6"	1'-9"	10"	22'-8"
58	4'-10"	3'-2"	1'-7"	2'-2"	3'-10"	8'-8"	14'-6"	5'-11"	2'-4"	2'-8"	2'-4"	2'-8"	1'-10"	10"	23'-5"
60	5'-0"	3'-3"	1'-8"	2'-2"	4'-0"	9'-0"	15'-0"	6'-1"	2'-4"	2'-9"	2'-4"	2'-8"	1'-10 1/2"	10"	24'-1"
62	5'-2"	3'-4"	1'-9"	2'-3"	4'-2"	9'-4"	15'-6"	6'-3"	2'-5"	2'-10"	2'-5"	2'-9"	1'-11"	10"	24'-10"
64	5'-4"	3'-6"	1'-10"	2'-4"	4'-3"	9'-7"	16'-0"	6'-5"	2'-5"	2'-11"	2'-6"	2'-10"	2'-0"	10"	25'-7"
66	5'-6"	3'-7"	1'-10"	2'-5"	4'-5"	10'-0"	16'-6"	6'-7"	2'-5"	3'-0"	2'-7"	2'-11"	2'-1 1/2"	10"	26'-4"
68	5'-8"	3'-8"	1'-11"	2'-6"	4'-6"	10'-0"	17'-0"	6'-9"	2'-5"	3'-1"	2'-8"	3'-0"	2'-2"	10"	27'-1"

**OPTIONS AND ORIENTATIONS**

PLATFORM	*	ROTARY VALVE	*
LADDER	*	INSP. OPENING	*
SLIDE GATE	*	INTERIOR PAINT	*
INLET	*	LEGS	*
OUTLET	*	VIBRATOR	*

**NOTES:**

- 1) DESIGN PRESSURE UP TO +/- 20" W.G.
- 2) SHOP PAINT IS ONE COAT OF DIRECT-TO-METAL ENAMEL SERIES 55, COLOR (SYB55W101SHG) ULTRA GRAY @ 1-1/2 MILS D.F.T. EXT. SURFACES.
- 3) SADDLE SUPPORTS ARE USED ON ALL MODELS WITH LEGS.

REV.	DESCRIPTION	DATE	BY

UNITS \_\_\_\_\_ TOLERANCES \_\_\_\_\_  
 UNLESS OTHERWISE SPECIFIED, ALL DIMENSIONS ARE IN FEET & INCHES. FRACTIONAL 1/16" ANGULAR 1.5°

THIS MATERIAL IS THE SOLE PROPERTY OF ULTRA INDUSTRIES INC. AND SHALL NOT BE REPRODUCED, PUBLISHED OR DISCLOSED TO ANYONE WITHOUT OBTAINING THE WRITTEN AUTHORIZATION OF ULTRA INDUSTRIES INC.  
 NO BACKCHARGES FOR FIELD RELATED WORK OF ANY KIND WILL BE ACCEPTED UNLESS FIRST REQUESTED AND AGREED TO WITH WRITTEN AUTHORIZATION FROM ULTRA INDUSTRIES INC.

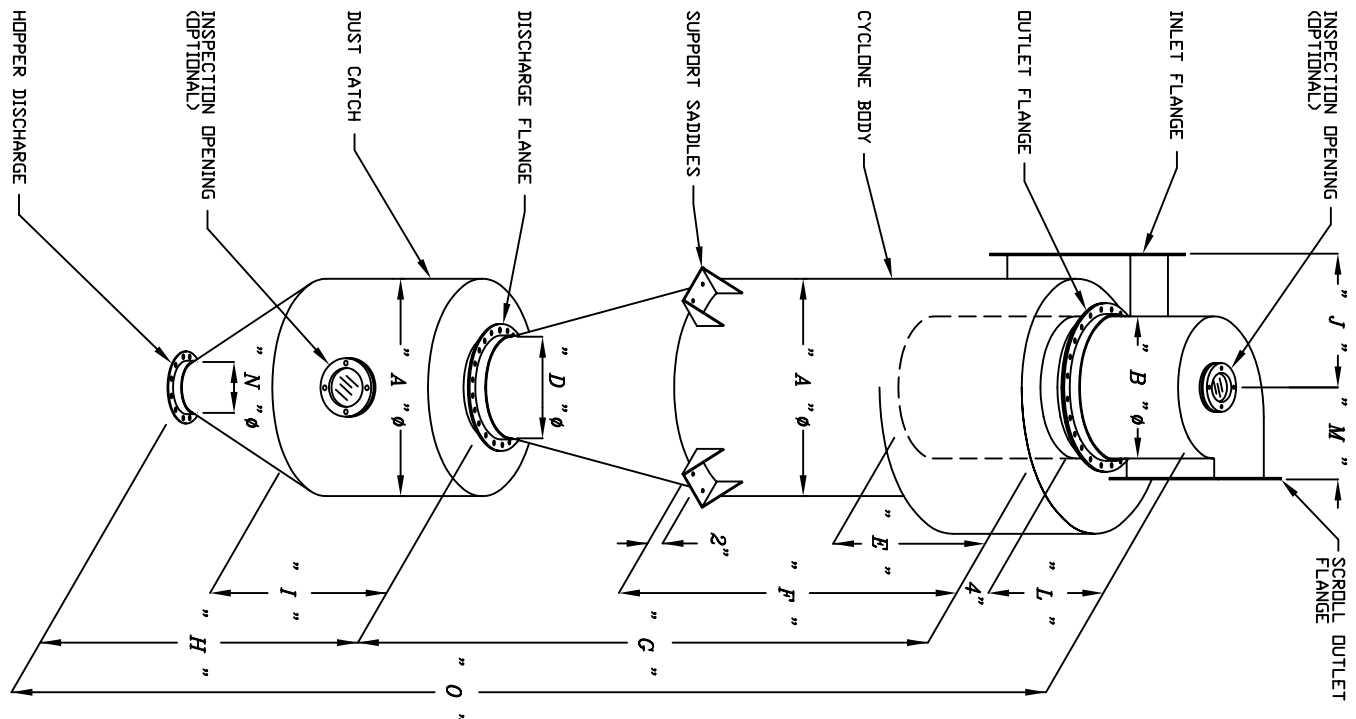
**ULTRA**

**ULTRA INDUSTRIES, INC.**  
 1908 DEKOVEN AVE. RACINE, WISCONSIN 53403  
 PHONE: 414/633-5070 FAX: 414/633-5102

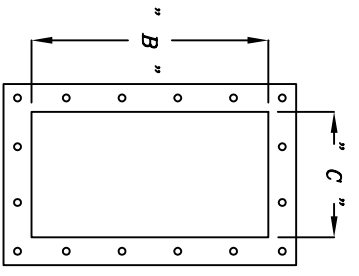
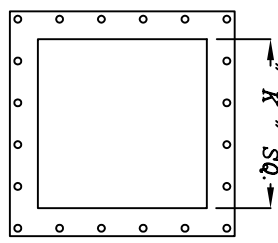
FOR SPARE PARTS, CALL: 1-800-35ULTRA  
 SERIAL NO. \_\_\_\_\_  
 DATE: 3-17-97 ARRANGEMENT III DRAWN BY: MLD  
 APPROVED BY: \_\_\_\_\_

**CYCLONE GENERAL DIMENSIONS**

MODEL	DRAWING NUMBER	REV.
CYC 42 - 68 III	CYC-42-68 III	0



CYC	A	B	C	D	E	F	G	H	I	J	K	L	M	N	O
70	5'-10"	3'-10"	1'-11"	2'-7"	4'-8"	10'-6"	6'-10"	2'-5"	3'-2"	2'-9"	3'-1"	2'-3"	1'-0"	27'-9"	
72	6'-0"	3'-11"	2'-0"	2'-8"	4'-10"	11'-0"	7'-0"	2'-7"	3'-3"	2'-10"	3'-2"	2'-3 1/2"	1'-0"	28'-6"	
74	6'-2"	4'-0"	2'-1"	2'-9"	4'-11"	11'-0"	7'-2"	2'-7"	3'-4"	2'-11"	3'-3"	2'-4"	1'-0"	29'-3"	
76	6'-4"	4'-1"	2'-2"	2'-9"	5'-1"	11'-5"	7'-4"	2'-8"	3'-5"	2'-11"	3'-3"	2'-4 1/2"	1'-0"	29'-11"	
78	6'-6"	4'-3"	2'-2"	2'-10"	5'-2"	11'-8"	7'-6"	2'-8"	3'-6"	3'-1"	3'-5"	2'-5 1/2"	1'-0"	30'-9"	
80	6'-8"	4'-4"	2'-3"	2'-11"	5'-4"	12'-0"	7'-8"	2'-7"	3'-7"	3'-2"	3'-6"	2'-6"	1'-0"	31'-6"	
82	6'-10"	4'-5"	2'-4"	3'-0"	5'-6"	12'-4"	8'-0"	2'-7"	3'-8"	3'-2"	3'-6"	2'-6 1/2"	1'-0"	32'-1"	
84	7'-0"	4'-7"	2'-4"	3'-1"	5'-7"	12'-7"	8'-1"	2'-7"	3'-9"	3'-3"	3'-7"	2'-7 1/2"	1'-0"	32'-10"	
86	7'-2"	4'-8"	2'-5"	3'-2"	5'-9"	12'-10"	8'-1"	2'-10"	3'-10"	3'-5"	3'-9"	2'-8"	1'-0"	33'-8"	
88	7'-4"	4'-9"	2'-6"	3'-3"	5'-10"	13'-0"	8'-3"	2'-10"	3'-11"	3'-5"	3'-9"	2'-8 1/2"	1'-0"	34'-4"	
90	7'-6"	4'-11"	2'-6"	3'-4"	6'-0"	13'-6"	8'-5"	2'-10"	4'-0"	3'-6"	3'-10"	2'-9 1/2"	1'-2"	35'-1"	
92	7'-8"	5'-0"	2'-7"	3'-4"	6'-2"	13'-10"	8'-7"	2'-10"	4'-1"	3'-8"	4'-0"	2'-10"	1'-2"	35'-11"	
94	7'-10"	5'-1"	2'-7"	3'-5"	6'-3"	14'-0"	8'-8"	2'-10"	4'-2"	3'-8"	4'-0"	2'-10 1/2"	1'-2"	36'-6"	
96	8'-0"	5'-2"	2'-8"	3'-6"	6'-6"	14'-5"	8'-10"	2'-10"	4'-3"	3'-9"	4'-1"	2'-11"	1'-2"	37'-3"	



**OPTIONS AND ORIENTATIONS**

PLATFORM	•	ROTARY VALVE	•
LADDER	•	INSP. OPENING	•
SLIDE GATE	•	INTERIOR PAINT	•
INLET	•	LEGS	•
OUTLET	•	VIBRATOR	•

**NOTES:**

- 1) DESIGN PRESSURE UP TO +/- 20" W.G.
- 2) SHOP PAINT IS ONE COAT OF DIRECT-TO-METAL ENAMEL, SERIES 55, COLOR (SVB55W101SHG) ULTRA GRAY @ 1-1/2 MILS D.F.T. EXT. SURFACES.
- 3) SADDLE SUPPORTS ARE USED ON ALL MODELS WITH LEGS.

REV.	DESCRIPTION	DATE
	UNITS _____	
	TOLERANCES _____	
	UNLESS OTHERWISE SPECIFIED, ALL DIMENSIONS ARE IN FEET & INCHES.	
	FRACTIONAL _____	
	ANGULAR _____	
	1/16"	1/32"

THIS MATERIAL IS THE SOLE PROPERTY OF ULTRA INDUSTRIES INC. AND SHALL NOT BE REPRODUCED, PUBLISHED OR DISCLOSED TO ANYONE WITHOUT OBTAINING THE WRITTEN AUTHORIZATION OF ULTRA INDUSTRIES INC.

NO BACKCHARGES FOR FIELD RELATED WORK OF ANY KIND WILL BE ACCEPTED UNLESS FIRST REQUESTED AND AGREED TO WITH WRITTEN AUTHORIZATION FROM ULTRA INDUSTRIES INC.

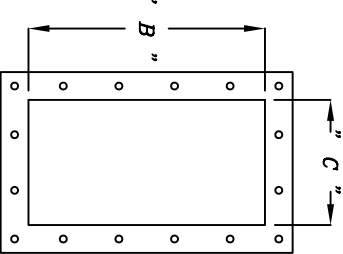
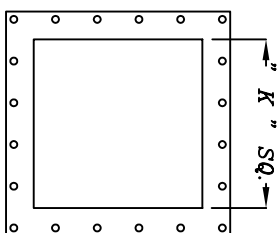
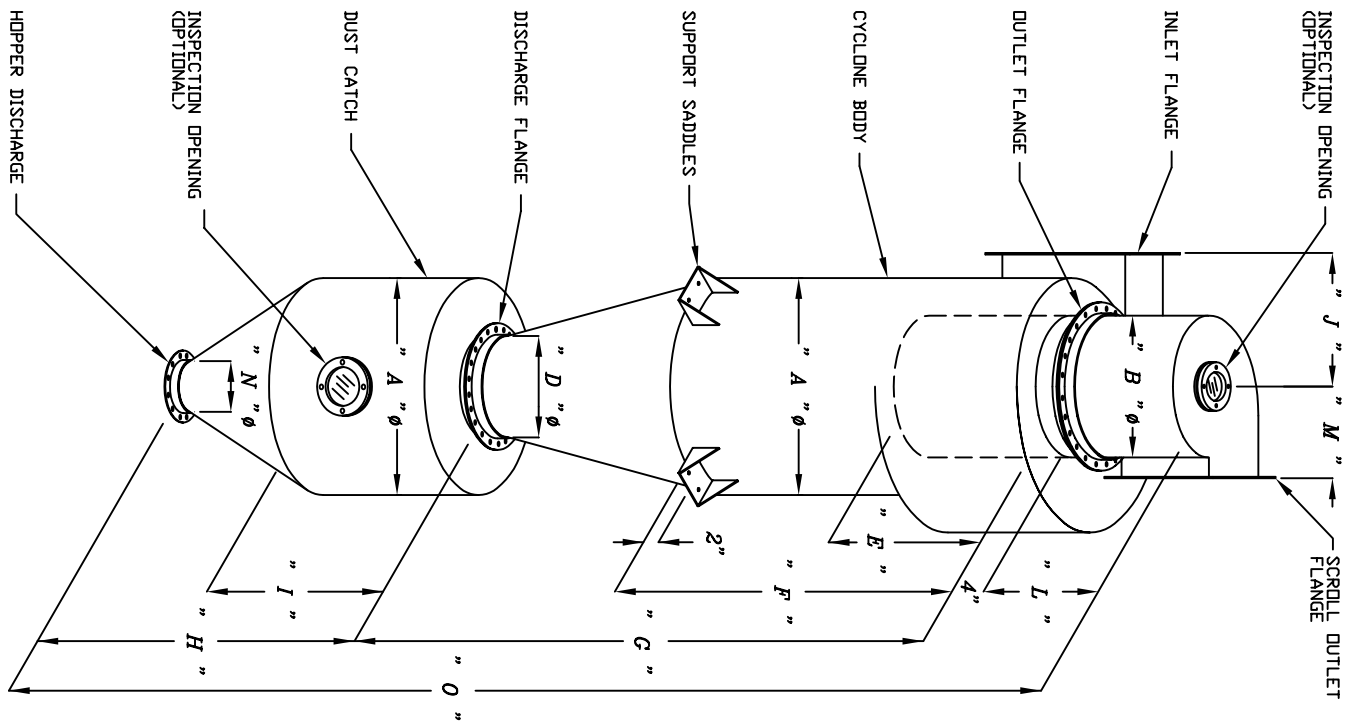
**ULTRA INDUSTRIES, INC.**  
 1908 DEKOVEN AVE. RACINE, WISCONSIN 53403  
 PHONE: 414/633-5070 FAX: 414/633-5102

**ULTRA**  
 FOR SPARE PARTS, CALL: 1-800-35ULTRA

SCALE: NONE SERIAL NO.: ARRANGEMENT III DRAWN BY: MLD  
 DATE: 3-17-97 APPROVED BY:

**CYCLONE GENERAL DIMENSIONS**

MODEL: CYC 70 - 96 III DRAWING NUMBER: CYC-70-96 III REV.: 0



CYC	A	B	C	D	E	F	G	H	I	J	K	L	M	N	O
98	8'-2"	5'-4"	2'-8"	3'-7"	6'-7"	14'-8"	24'-6"	9'-0"	2'-10"	4'-4"	3'-10"	4'-2"	3'-0"	1'-2"	38'-0"
100	8'-4"	5'-5"	2'-9"	3'-8"	6'-9"	15'-0"	25'-0"	9'-2"	2'-10"	4'-5"	3'-11"	4'-3"	3'-0 1/2"	1'-2"	38'-9"
102	8'-6"	5'-6"	2'-10"	3'-9"	6'-10"	15'-3"	25'-6"	9'-4"	2'-10"	4'-6"	4'-0"	4'-4"	3'-1"	1'-2"	39'-6"
104	8'-8"	5'-7"	2'-10"	3'-10"	7'-0"	15'-7"	26'-0"	9'-5"	2'-9"	4'-7"	4'-0"	4'-4"	3'-1 1/2"	1'-2"	40'-1"
106	8'-10"	5'-8"	2'-11"	3'-11"	7'-2"	16'-0"	26'-6"	9'-7"	2'-11"	4'-8"	4'-1"	4'-5"	3'-2"	1'-4"	40'-10"
108	9'-0"	5'-10"	3'-0"	4'-0"	7'-3"	16'-0"	27'-0"	9'-8"	2'-11"	4'-9"	4'-3"	4'-7"	3'-3"	1'-4"	41'-7"
110	9'-2"	6'-0"	3'-0"	4'-1"	7'-6"	16'-3"	27'-6"	9'-10"	2'-11"	4'-10"	4'-3"	4'-7"	3'-4"	1'-4"	42'-3"
112	9'-4"	6'-1"	3'-1"	4'-2"	7'-7"	16'-9"	28'-0"	9'-11"	2'-11"	4'-11"	4'-4"	4'-8"	3'-4 1/2"	1'-4"	42'-11"
114	9'-6"	6'-2"	3'-2"	4'-3"	7'-9"	17'-0"	28'-6"	10'-0"	2'-10"	5'-0"	4'-5"	4'-9"	3'-5"	1'-4"	43'-7"
116	9'-8"	6'-3"	3'-2"	4'-3"	7'-10"	17'-4"	29'-0"	10'-3"	2'-10"	5'-1"	4'-6"	4'-10"	3'-5 1/2"	1'-4"	44'-5"
118	9'-10"	6'-4"	3'-3"	4'-4"	8'-0"	17'-7"	29'-6"	10'-4"	2'-10"	5'-2"	4'-6"	4'-10"	3'-6"	1'-4"	45'-0"
120	10'-0"	6'-6"	3'-4"	4'-5"	8'-2"	18'-0"	30'-0"	10'-6"	2'-10"	5'-3"	4'-8"	5'-0"	3'-7"	1'-4"	45'-10"
122	10'-2"	6'-7"	3'-5"	4'-6"	8'-3"	18'-3"	30'-6"	10'-8"	2'-10"	5'-4"	4'-8"	5'-0"	3'-7 1/2"	1'-4"	46'-6"

**OPTIONS AND ORIENTATIONS**

OPTION	ROTARY VALVE
PLATFORM	*
LADDER	*
SLIDE GATE	*
INLET	*
OUTLET	*
	VIBRATOR

**NOTES:**

- DESIGN PRESSURE UP TO +/- 20" W.G.
- SHOP PAINT IS ONE COAT OF DIRECT-TO-METAL ENAMEL SERIES 55, COLOR (SWB55W101SHG) ULTRA GRAY @ 1-1/2 MILS D.F.T. EXT. SURFACES.
- SADDLE SUPPORTS ARE USED ON ALL MODELS WITH LEGS.

REV.	DESCRIPTION	DATE	BY
	UNITS _____		
	TOLERANCES _____		
	UNLESS OTHERWISE SPECIFIED, ALL DIMENSIONS ARE IN FEET & INCHES.		
	FRACTIONAL 1/16"		
	ANGULAR 1/2°		

THIS MATERIAL IS THE SOLE PROPERTY OF ULTRA INDUSTRIES INC. AND SHALL NOT BE REPRODUCED, PUBLISHED OR DISCLOSED TO ANYONE WITHOUT OBTAINING THE WRITTEN AUTHORIZATION OF ULTRA INDUSTRIES INC.

NO BACKCHARGES FOR FIELD RELATED WORK OF ANY KIND WILL BE ACCEPTED UNLESS FIRST REQUESTED AND AGREED TO WITH WRITTEN AUTHORIZATION FROM ULTRA INDUSTRIES INC.

**ULTRA INDUSTRIES, INC.**  
 1908 DEKOVEN AVE. RACINE, WISCONSIN 53403  
 PHONE: 414/633-5070 FAX: 414/633-5102

**ULTRA**  
 FOR SPARE PARTS, CALL: 1-800-35ULTRA

SCALE: NONE	SERIAL NO. ARRANGEMENT III	DRAWN BY: MLD
DATE: 3-17-97	ARRANGEMENT III	APPROVED BY:

**CYCLONE GENERAL DIMENSIONS**

MODEL: CYC 98 - 122 III	DRAWING NUMBER: CYC-98-122 III	REV.: 0
-------------------------	--------------------------------	---------