

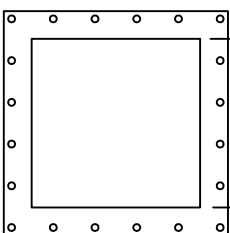
CYC	A	B	C	D	E	F	G	H	I	J	K	L
14	1'-2"	9"	4 3/4"	4"	1'-0"	2'-1"	3'-9"	4'-10"	9"	7"	6 1/2"	9"
16	1'-4"	10"	5 1/2"	6"	1'-1"	2'-5"	4'-1"	5'-3"	11"	7 1/2"	7 1/2"	10"
18	1'-6"	1'-0"	6"	6"	1'-3"	2'-8"	4'-7 1/2"	5'-10 1/2"	1'-0"	8 1/2"	8 1/2"	11"
20	1'-8"	1'-1"	6 3/4"	6"	1'-4"	3'-0"	5'-3 1/2"	6'-7 1/2"	1'-1"	9"	9 1/4"	1'-0"
22	1'-10"	1'-2"	7 1/2"	6"	1'-6"	3'-4"	5'-11"	7'-4"	1'-2"	9 1/2"	10"	1'-1"
24	2'-0"	1'-4"	8"	6"	1'-7"	3'-7"	6'-6"	8'-0 1/2"	1'-3"	10 1/2"	11 1/2"	1'-2 1/2"
26	2'-2"	1'-5"	9"	6"	1'-9"	4'-0"	7'-2 1/2"	8'-9 1/2"	1'-4"	11"	1'-0"	1'-3"
28	2'-4"	1'-6"	9"	6"	1'-10"	4'-3"	7'-9 1/2"	9'-5 1/2"	1'-5"	11 1/2"	1'-1"	1'-4"
30	2'-6"	1'-8"	10"	8"	2'-0"	4'-6"	8'-0 1/2"	9'-9 1/2"	1'-6"	1'-0"	1'-2"	1'-5"
32	2'-8"	1'-9"	11"	8"	2'-2"	4'-10"	8'-8"	10'-6"	1'-7"	1'-1"	1'-3"	1'-6"
34	2'-10"	1'-10"	11"	8"	2'-3"	5'-0"	9'-2"	11'-1"	1'-8"	1'-1 1/2"	1'-4"	1'-7"
36	3'-0"	1'-11"	1'-0"	8"	2'-5"	5'-5"	9'-10 1/2"	11'-10 1/2"	1'-9"	1'-2"	1'-5"	1'-8"
38	3'-2"	2'-1"	1'-1"	8"	2'-6"	5'-8"	10'-5"	12'-6"	1'-10"	1'-3 1/2"	1'-6"	1'-9"
40	3'-4"	2'-2"	1'-1"	8"	2'-8"	6'-0"	11'-1"	13'-2 1/2"	1'-11"	1'-4"	1'-6 1/2"	1'-9 1/2"

**OPTIONS AND ORIENTATIONS**

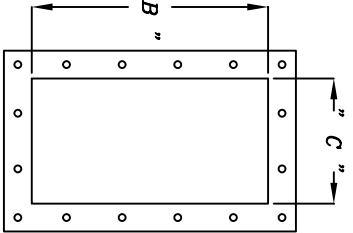
PLATFORM	*	ROTARY VALVE	*
LADDER	*	INSP. OPENING	*
SLIDE GATE	*	INTERIOR PAINT	*
INLET	*	LEGS	*
OUTLET	*	VIBRATOR	*

**NOTES:**

- 1) DESIGN PRESSURE UP TO +/- 20' W.G.
- 2) SHOP PAINT IS ONE COAT OF DIRECT-TO-METAL ENAMEL SERIES 55, COLOR (SVB55W101SHG) ULTRA GRAY @ 1-1/2 MILS D.F.T. EXT. SURFACES.
- 3) SADDLE SUPPORTS ARE USED ON ALL MODELS WITH LEGS.



**OUTLET FLANGE**  
3/8" THK. CSTL



**INLET FLANGE**  
3/8" THK. CSTL

REV.	DESCRIPTION	DATE BY

UNITS	TOLERANCES
FRACTIONAL	ANGULAR
± 1/8"	± .5°

THIS MATERIAL IS THE SOLE PROPERTY OF ULTRA INDUSTRIES INC. AND SHALL NOT BE REPRODUCED, PUBLISHED OR DISCLOSED TO ANYONE WITHOUT OBTAINING THE WRITTEN AUTHORIZATION OF ULTRA INDUSTRIES INC.

NO BACKCHARGES FOR FIELD RELATED WORK OF ANY KIND WILL BE ACCEPTED UNLESS FIRST REQUESTED AND AGREED TO WITH WRITTEN AUTHORIZATION FROM ULTRA INDUSTRIES INC.



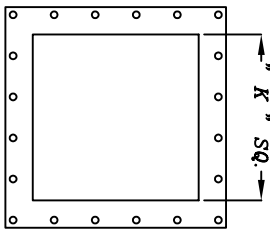
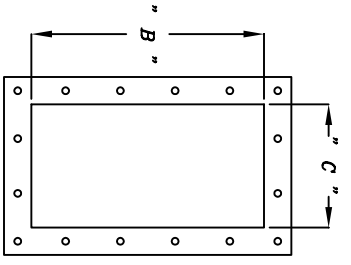
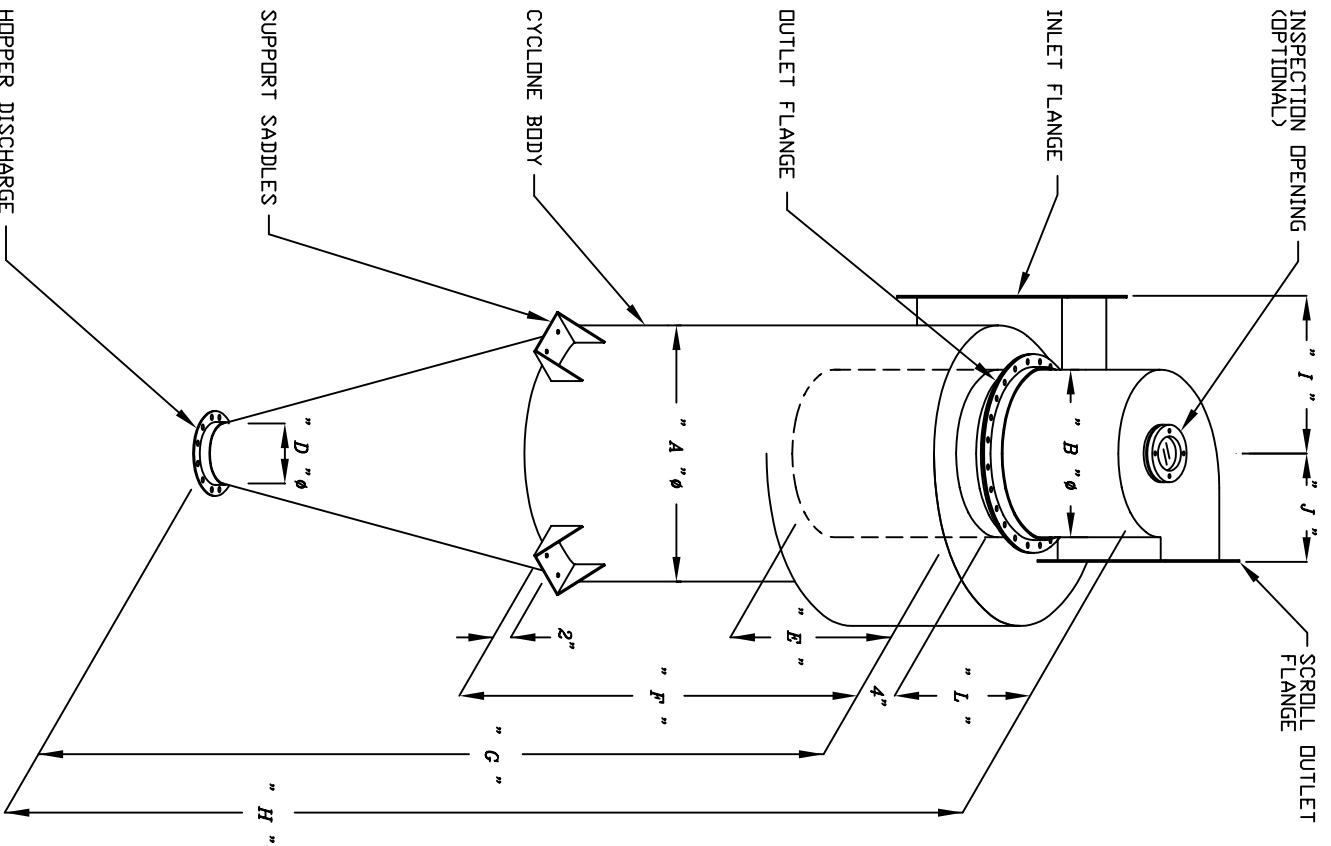
**ULTRA INDUSTRIES, INC.**  
1808 DEKOVEN AVE. RACINE, WISCONSIN 53403  
PHONE: 414/633-5070 FAX: 414/633-5102

FOR SPARE PARTS, CALL: 1-800-35ULTRA

SCALE: NONE	SERIAL NO.: ARRANGEMENT II	DRAWN BY: MLD
DATE: 3-17-97		APPROVED BY:

**CYCLONE GENERAL DIMENSIONS**

MODEL: CYC 14 - 40 II	DRAWING NUMBER: CYC-14-40 II	REV: 0
-----------------------	------------------------------	--------



CYC	A	B	C	D	E	F	G	H	I	J	K	L
42	3'-6"	2'-3"	1'-2"	8"	2'-10"	6'-4"	11'-8 1/2"	13'-10 1/2"	2'-0"	1'-4 1/2"	1'-7"	1'-10"
44	3'-8"	2'-5"	1'-3"	8"	2'-11"	6'-7"	12'-3 1/2"	14'-7 1/2"	2'-1"	1'-5 1/2"	1'-9"	2'-0"
46	3'-10"	2'-6"	1'-3"	8"	3'-1"	7'-0"	13'-0"	15'-5"	2'-2"	1'-6"	1'-10"	2'-1"
48	4'-0"	2'-7"	1'-4"	8"	3'-2"	7'-0"	13'-4"	15'-10"	2'-3"	1'-6 1/2"	1'-11"	2'-2"
50	4'-2"	2'-8"	1'-5"	10"	3'-4"	7'-6"	13'-10"	16'-5"	2'-4"	1'-7"	2'-0"	2'-3"
52	4'-4"	2'-10"	1'-5"	10"	3'-6"	8'-0"	14'-7 1/2"	17'-3 1/2"	2'-5"	1'-8"	2'-1"	2'-4"
54	4'-6"	2'-11"	1'-6"	10"	3'-7"	8'-0"	14'-11"	17'-8"	2'-6"	1'-8 1/2"	2'-2"	2'-5"
56	4'-8"	3'-0"	1'-7"	10"	3'-9"	8'-5"	15'-8"	18'-6"	2'-7"	1'-9"	2'-3"	2'-6"
58	4'-10"	3'-2"	1'-7"	10"	3'-10"	8'-8"	16'-2 1/2"	19'-2 1/2"	2'-8"	1'-10"	2'-4"	2'-8"
60	5'-0"	3'-3"	1'-8"	10"	4'-0"	9'-0"	16'-10 1/2"	19'-10 1/2"	2'-9"	1'-10 1/2"	2'-4"	2'-8"
62	5'-2"	3'-4"	1'-9"	10"	4'-2"	9'-4"	17'-6"	20'-7"	2'-10"	1'-11"	2'-5"	2'-9"
64	5'-4"	3'-6"	1'-10"	10"	4'-3"	9'-7"	18'-0 1/2"	21'-2 1/2"	2'-11"	2'-0"	2'-6"	2'-10"
66	5'-6"	3'-7"	1'-10"	10"	4'-5"	10'-0"	18'-9 1/2"	22'-0 1/2"	3'-0"	2'-1 1/2"	2'-7"	2'-11"
68	5'-8"	3'-8"	1'-11"	10"	4'-6"	10'-0"	19'-1 1/2"	22'-5 1/2"	3'-1"	2'-2"	2'-8"	3'-0"

**OPTIONS AND ORIENTATIONS**

OPTION	DESCRIPTION	DATE
PLATFORM	* ROTARY VALVE	
LADDER	* INSP. OPENING	
SLIDE GATE	* INTERIOR PAINT	
INLET	* LEGS	
OUTLET	* VIBRATOR	

**NOTES:**

- 1) DESIGN PRESSURE UP TO +/- 20' W.G.
- 2) SHOP PAINT IS ONE COAT OF DIRECT-TO-METAL ENAMEL SERIES 55, COLOR (SWB55W101SHG) ULTRA GRAY @ 1-1/2 MILS D.F.T. EXT. SURFACES.
- 3) SADDLE SUPPORTS ARE USED ON ALL MODELS WITH LEGS.

REV.	DESCRIPTION	DATE

UNLESS OTHERWISE SPECIFIED, ALL DIMENSIONS ARE IN FEET & INCHES.

TOLERANCES  
 FRACTIONAL ± 1/8"  
 ANGULAR ± 5°

THIS MATERIAL IS THE SOLE PROPERTY OF ULTRA INDUSTRIES INC. AND SHALL NOT BE REPRODUCED, PUBLISHED OR DISCLOSED TO ANYONE WITHOUT OBTAINING THE WRITTEN AUTHORIZATION OF ULTRA INDUSTRIES INC.

NO BACKCHARGES FOR FIELD RELATED WORK OF ANY KIND WILL BE ACCEPTED UNLESS FIRST REQUESTED AND AGREED TO WITH WRITTEN AUTHORIZATION FROM ULTRA INDUSTRIES INC.



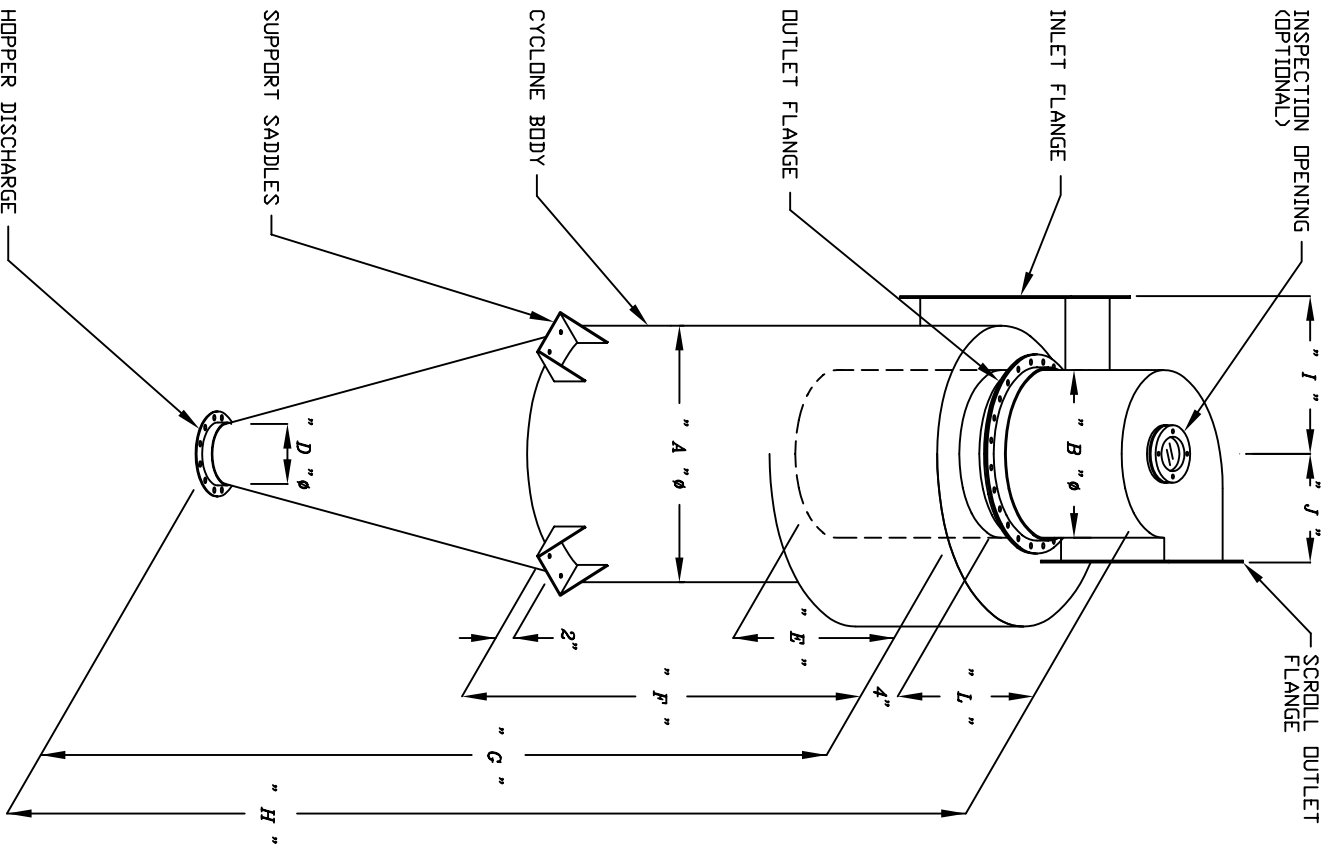
**ULTRA INDUSTRIES, INC.**  
 1008 DEVEN AVE. RICHIE, WISCONSIN 53003  
 PHONE: 414/653-5070 FAX: 414/653-5102

FOR SPARE PARTS, CALL: 1-800-35ULTRA

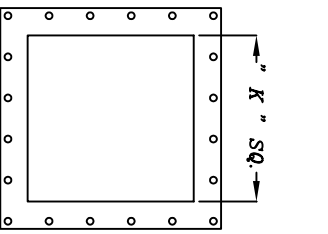
SCALE: NONE	SERIAL NO. ARRANGEMENT II	DRAWN BY: MLD
DATE: 3-17-97		APPROVED BY:

**CYCLONE GENERAL DIMENSIONS**

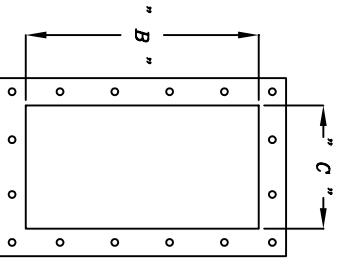
MODEL: CYC 42 - 68 II	DRAWING NUMBER: CYC-42-68 II	REV.: 0
-----------------------	------------------------------	---------



CYC	A	B	C	D	E	F	G	H	I	J	K	L
70	5'-10"	3'-10"	1'-11"	1'-0"	4'-8"	10'-6"	19'-7 1/2"	23'-0 1/2"	3'-2"	2'-3"	2'-9"	3'-1"
72	6'-0"	3'-11"	2'-0"	1'-0"	4'-10"	11'-0"	20'-5 1/2"	23'-11 1/2"	3'-3"	2'-3 1/2"	2'-10"	3'-2"
74	6'-2"	4'-0"	2'-1"	1'-0"	4'-11"	11'-0"	20'-9"	24'-4"	3'-4"	2'-4"	2'-11"	3'-3"
76	6'-4"	4'-1"	2'-2"	1'-0"	5'-1"	11'-5"	21'-6"	25'-1"	3'-5"	2'-4 1/2"	2'-11"	3'-3"
78	6'-6"	4'-3"	2'-2"	1'-0"	5'-2"	11'-8"	22'-0 1/2"	25'-9 1/2"	3'-6"	2'-5 1/2"	3'-1"	3'-5"
80	6'-8"	4'-4"	2'-3"	1'-0"	5'-4"	12'-0"	22'-8 1/2"	26'-6 1/2"	3'-7"	2'-6"	3'-2"	3'-6"
82	6'-10"	4'-5"	2'-4"	1'-0"	5'-6"	12'-4"	23'-4"	27'-6"	3'-8"	2'-6 1/2"	3'-2"	3'-6"
84	7'-0"	4'-7"	2'-4"	1'-0"	5'-7"	12'-7"	23'-11"	27'-10"	3'-9"	2'-7 1/2"	3'-3"	3'-7"
86	7'-2"	4'-8"	2'-5"	1'-0"	5'-9"	12'-10"	24'-5 1/2"	28'-6 1/2"	3'-10"	2'-8"	3'-5"	3'-9"
88	7'-4"	4'-9"	2'-6"	1'-0"	5'-10"	13'-0"	24'-11 1/2"	29'-0 1/2"	3'-11"	2'-8 1/2"	3'-5"	3'-9"
90	7'-6"	4'-11"	2'-6"	1'-2"	6'-0"	13'-6"	25'-5 1/2"	29'-7 1/2"	4'-0"	2'-9 1/2"	3'-6"	3'-10"
92	7'-8"	5'-0"	2'-7"	1'-2"	6'-2"	13'-10"	26'-1"	30'-5"	4'-1"	2'-10"	3'-8"	4'-0"
94	7'-10"	5'-1"	2'-7"	1'-2"	6'-3"	14'-0"	26'-7"	30'-11"	4'-2"	2'-10 1/2"	3'-8"	4'-0"
96	8'-0"	5'-2"	2'-8"	1'-2"	6'-6"	14'-5"	27'-3 1/2"	31'-8 1/2"	4'-3"	2'-11"	3'-9"	4'-1"



OUTLET FLANGE  
3/8" THK. CSTL



INLET FLANGE  
3/8" THK. CSTL

OPTIONS AND ORIENTATIONS

PLATFORM	*	ROTARY VALVE	*
LADDER	*	INSP. OPENING	*
SLIDE GATE	*	INTERIOR PAINT	*
INLET	*	LEGS	*
OUTLET	*	VIBRATOR	*

NOTES:

- 1) DESIGN PRESSURE UP TO +/- 20' W.G.
- 2) SHOP PAINT IS ONE COAT OF DIRECT-TO-METAL ENAMEL SERIES 55, COLOR (SWB55W101SHG) ULTRA GRAY @ 1-1/2 MILS D.F.T. EXT. SURFACES.
- 3) SADDLE SUPPORTS ARE USED ON ALL MODELS WITH LEGS.

REV.	DESCRIPTION	DATE BY

UNITS	TOLERANCES
UNLESS OTHERWISE SPECIFIED, ALL DIMENSIONS ARE IN FEET & INCHES.	FRACTIONAL ± 1/8" ANGULAR ± 5°

THIS MATERIAL IS THE SOLE PROPERTY OF ULTRA INDUSTRIES INC. AND SHALL NOT BE REPRODUCED, PUBLISHED OR DISCLOSED TO ANYONE WITHOUT OBTAINING THE WRITTEN AUTHORIZATION OF ULTRA INDUSTRIES INC.

NO BACKCHARGES FOR FIELD RELATED WORK OF ANY KIND WILL BE ACCEPTED UNLESS FIRST REQUESTED AND AGREED TO WITH WRITTEN AUTHORIZATION FROM ULTRA INDUSTRIES INC.

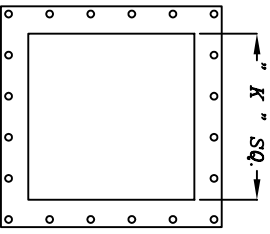
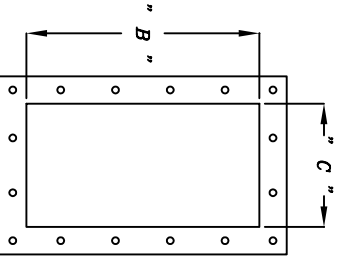
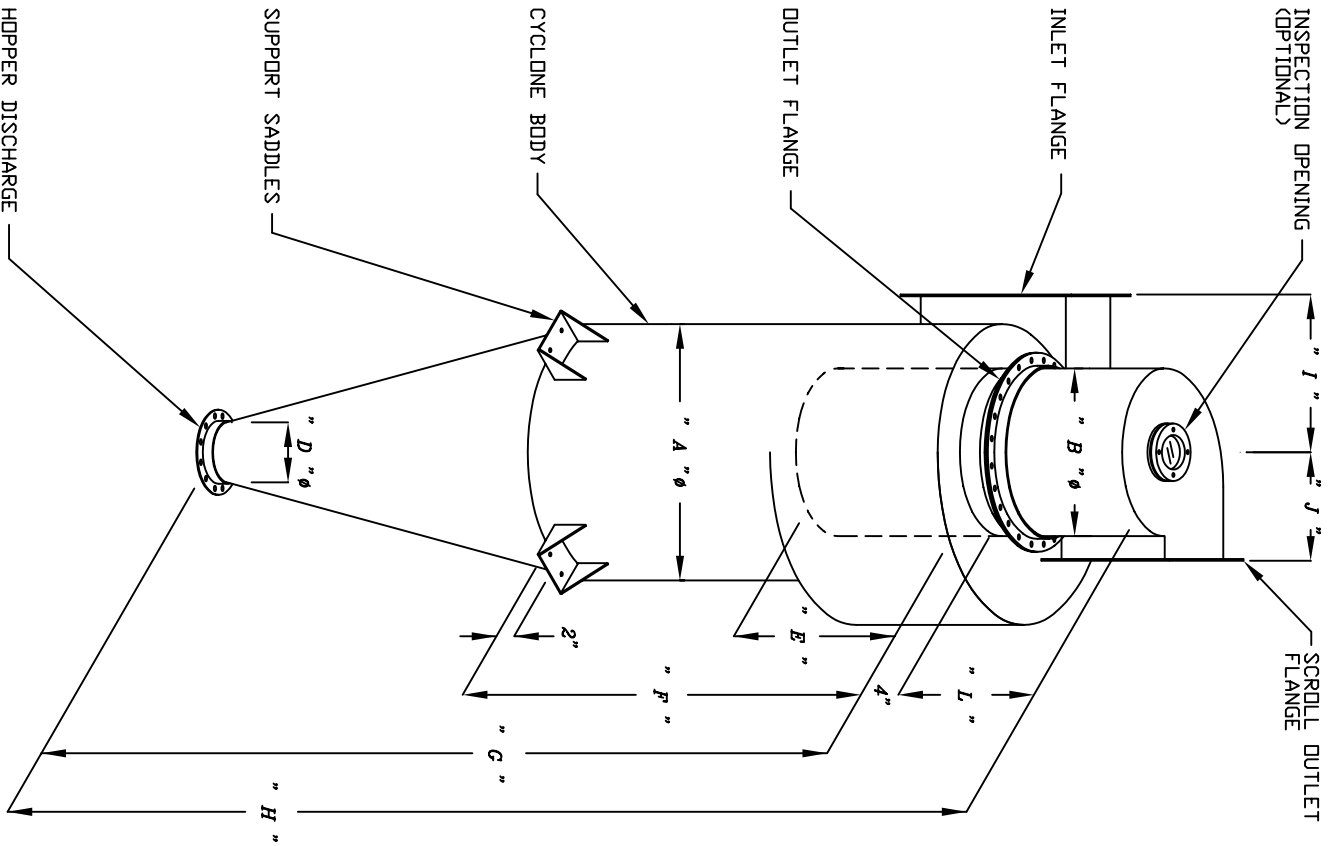
**ULTRA INDUSTRIES, INC.**  
1908 DEKOVEN AVE. P.O. BOX 53403  
RACINE, WISCONSIN 53403  
PHONE: 414/633-5070 FAX: 414/633-5102

**ULTRA**  
FOR SPARE PARTS, CALL: 1-800-360ULTRA

SCALE: NONE	SERIAL NO.: ARRANGEMENT II	DRAWN BY: MLD
DATE: 3-17-97	APPROVED BY:	

**CYCLONE GENERAL DIMENSIONS**

MODEL: CYC 70 - 96 II	DRAWING NUMBER: CYC-70-96 II	REV.: 0
-----------------------	------------------------------	---------



CYC	A	B	C	D	E	F	G	H	I	J	K	L
98	8'-2"	5'-4"	2'-8"	1'-2"	6'-7"	14'-8"	27'-10 $\frac{1}{2}$ "	32'-4 $\frac{1}{2}$ "	4'-4"	3'-0"	3'-10"	4'-2"
100	8'-4"	5'-5"	2'-9"	1'-2"	6'-9"	15'-0"	28'-6"	33'-1"	4'-5"	3'-0 $\frac{1}{2}$ "	3'-11"	4'-3"
102	8'-6"	5'-6"	2'-10"	1'-2"	6'-10"	15'-3"	29'-0 $\frac{1}{2}$ "	33'-8 $\frac{1}{2}$ "	4'-6"	3'-1"	4'-0"	4'-4"
104	8'-8"	5'-7"	2'-10"	1'-2"	7'-0"	15'-7"	29'-8 $\frac{1}{2}$ "	34'-4 $\frac{1}{2}$ "	4'-7"	3'-1 $\frac{1}{2}$ "	4'-0"	4'-4"
106	8'-10"	5'-8"	2'-11"	1'-4"	7'-2"	16'-0"	30'-1 $\frac{1}{2}$ "	34'-10 $\frac{1}{2}$ "	4'-8"	3'-2"	4'-1"	4'-5"
108	9'-0"	5'-10"	3'-0"	1'-4"	7'-3"	16'-0"	30'-5"	35'-4"	4'-9"	3'-3"	4'-3"	4'-7"
110	9'-2"	6'-0"	3'-0"	1'-4"	7'-6"	16'-3"	31'-0"	35'-11"	4'-10"	3'-4"	4'-3"	4'-7"
112	9'-4"	6'-1"	3'-1"	1'-4"	7'-7"	16'-9"	32'-0"	37'-0"	4'-11"	3'-4 $\frac{1}{2}$ "	4'-4"	4'-8"
114	9'-6"	6'-2"	3'-2"	1'-4"	7'-9"	17'-0"	32'-4 $\frac{1}{2}$ "	37'-5 $\frac{1}{2}$ "	5'-0"	3'-5"	4'-5"	4'-9"
116	9'-8"	6'-3"	3'-2"	1'-4"	7'-10"	17'-4"	32'-11 $\frac{1}{2}$ "	38'-1 $\frac{1}{2}$ "	5'-1"	3'-5 $\frac{1}{2}$ "	4'-6"	4'-10"
118	9'-10"	6'-4"	3'-3"	1'-4"	8'-0"	17'-7"	34'-0"	39'-2"	5'-2"	3'-6"	4'-6"	4'-10"
120	10'-0"	6'-6"	3'-4"	1'-4"	8'-2"	18'-0"	34'-3 $\frac{1}{2}$ "	39'-7 $\frac{1}{2}$ "	5'-3"	3'-7"	4'-8"	5'-0"
122	10'-2"	6'-7"	3'-5"	1'-4"	8'-3"	18'-3"	34'-10 $\frac{1}{2}$ "	40'-2 $\frac{1}{2}$ "	5'-4"	3'-7 $\frac{1}{2}$ "	4'-8"	5'-0"

**OPTIONS AND ORIENTATIONS**

PLATFORM	*	ROTARY VALVE	
LADDER	*	INSP. OPENING	
SLIDE GATE	*	INTERIOR PAINT	
INLET	*	LEGS	
OUTLET	*	VIBRATOR	

**NOTES:**

- 1) DESIGN PRESSURE UP TO +/- 20' W.G.
- 2) SHOP PAINT IS ONE COAT OF DIRECT-TO-METAL ENAMEL SERIES 55, COLOR (SWB55W101SHG) ULTRA GRAY @ 1-1/2 MILS D.F.T. EXT. SURFACES.
- 3) SADDLE SUPPORTS ARE USED ON ALL MODELS WITH LEGS.

REV.	DESCRIPTION	DATE BY
UNITS	TOLERANCES	
UNLESS OTHERWISE SPECIFIED, ALL DIMENSIONS ARE IN FEET & INCHES.	FRACTIONAL ± 1/8"	ANGULAR ± 5°
THIS MATERIAL IS THE SOLE PROPERTY OF ULTRA INDUSTRIES INC. AND SHALL NOT BE REPRODUCED, PUBLISHED OR DISCLOSED TO ANYONE WITHOUT OBTAINING THE WRITTEN AUTHORIZATION OF ULTRA INDUSTRIES INC.		
NO BACKCHARGES FOR FIELD RELATED WORK OF ANY KIND WILL BE ACCEPTED UNLESS FIRST REQUESTED AND AGREED TO WITH WRITTEN AUTHORIZATION FROM ULTRA INDUSTRIES INC.		
<b>ULTRA INDUSTRIES, INC.</b> 1908 DEKOVEN AVE. RACINE, WISCONSIN 53403 PHONE: 414/633-5070 FAX: 414/633-5102		
<b>FOR SPARE PARTS, CALL: 1-800-350ULTRA</b>		
SCALE: NONE	SERIAL NO.: ARRANGEMENT II	DRAWN BY: MLD
DATE: 3-17-97		APPROVED BY:
<b>CYCLONE GENERAL DIMENSIONS</b>		
MODEL: CYC 98 - 122 II	DRAWING NUMBER: CYC-98-122 II	REV.: 0