

ORIENTATION VIEW
LOCATING COMPONENTS

ANGLE RING BASE
2' X 2' X 3/16" ANGLE RING

NO. OF BAGS	BAG LENGTH (IN)	FILTER AREA (SQ. FT.)	NO. OF VALVES	SCFM OF AIR @ 100 PSI	WT LBS.	OUTLET SIZES (DIA.)	GENERAL DIMENSIONS							
							A	B	C	D	E	F		
CW 24	58	182	5	6.5	1380	6'	5'-9"	5'-1"	10'-10"					
	84	264	5	6.9	1550	THRU	7'-11"	7'-3"	15'-2"	44	4'-	4'-		
CW 34	100	314	6	7.2	1700	8'	9'-3"	8'-7"	17'-10"					
	58	258	6	7.0	1710	8'	5'-11"	5'-1"	11'-0"	52	4'-	4'-		
CW 48	84	374	8	7.7	1890	THRU	8'-1"	7'-3"	15'-4"					
	100	445	8	8.0	2040	10"	9'-5"	8'-7"	18'-0"					
CW 58	58	364	8	10.3	2100	10"	6'-0"	5'-1"	11'-1"	64	5'-	5'-		
	84	528	8	10.7	2280	THRU	8'-2"	7'-3"	15'-5"					
CW 65	100	628	9	11.1	2540	12"	9'-6"	8'-7"	18'-1"					
	84	638	8	11.2	2630	12"	8'-4"	5'-1"	13'-5"					
CW 58	100	759	8	11.8	2750	THRU	6'-0"	7'-3"	16'-11"	68	6'-	6'-		
	120	940	8	12.6	3100	14"	11'-4"	8'-7"	19'-11"					
CW 65	84	715	9	11.7	2940	14"	8'-5"	5'-1"	13'-6"					
	100	851	9	12.1	3160	THRU	9'-9"	7'-3"	17'-0"	72	8 1/4"	8 1/4"		
	120	1021	9	12.7	3500	16"	11'-5"	8'-7"	20'-0"					

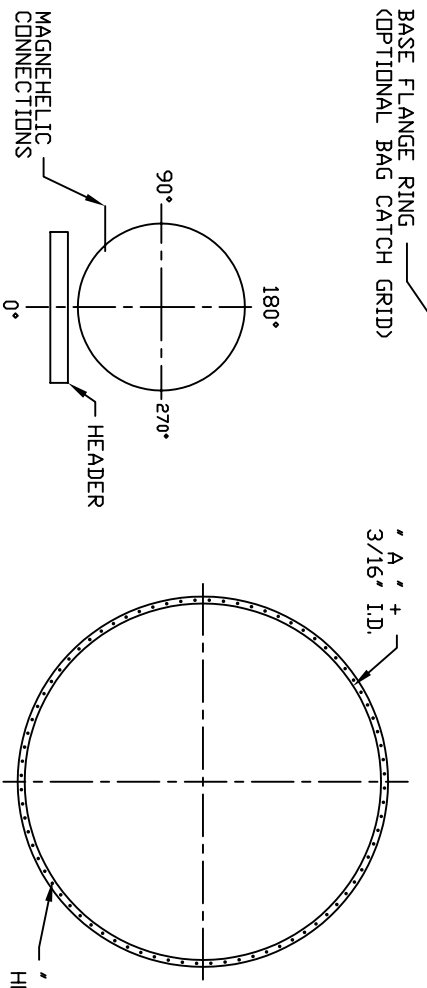
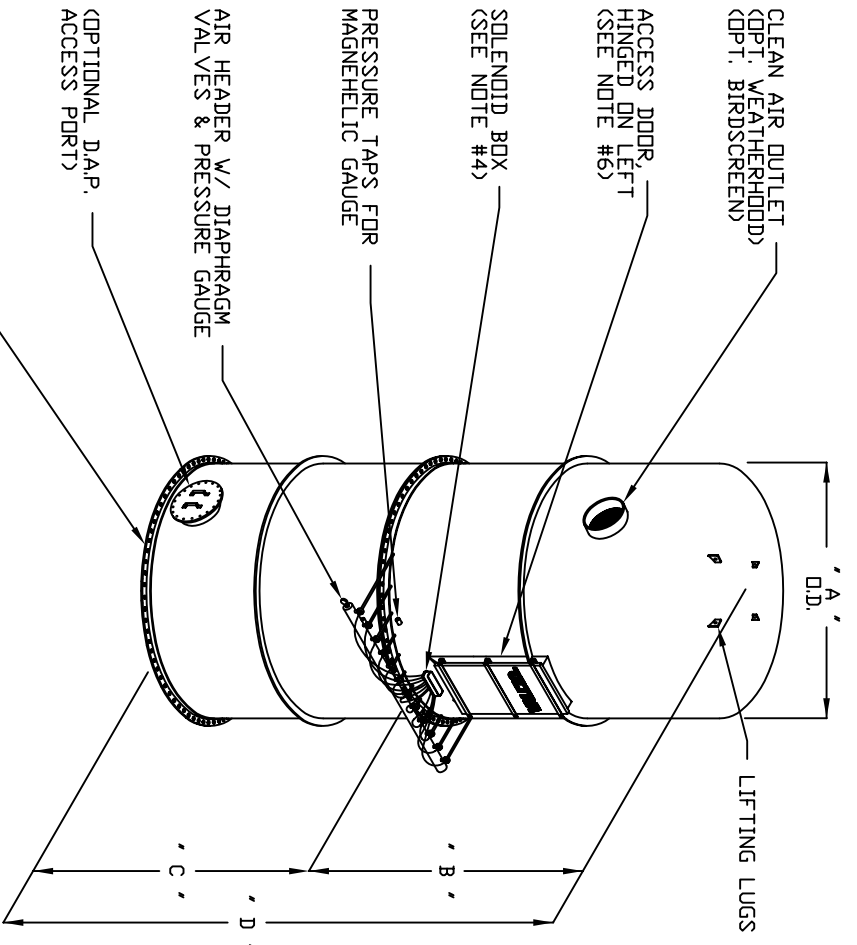
OPTIONS AND ORIENTATIONS

OUTLET	*
ACCESS DOOR	*
WEATHERHOOD	*
FAN	*
INTERIOR PAINT	*

NOTES:

- 1) DESIGN PRESSURE UP TO +/- 17" Hg.
- 2) SHOP PAINT IS ONE COAT OF DIRECT-TO-METAL ENAMEL, SERIES 55, COLOR (SWB55W101SHG) ULTRA GRAY @ 1-1 1/2 MILS D.F.T., EXT. SURFACES.
- 3) AIR HEADER IS ALWAYS LOCATED AT 0 DEGREES.
- 4) A NEMA 4 SOLENOID BOX IS SUPPLIED. THE SOLENOID VALVES ARE PREWIRED TO THEIR RESPECTIVE TIMER OUTPUT TERMINALS. THE SOLENOID PORT IS PRE-CONNECTED TO ITS RESPECTIVE DIAPHRAGM VALVE RELIEF PORT USING POLY-FLOW TUBING.
- 5) A TIMER & NEMA 4 TIMER BOX IS SUPPLIED AND SHIPPED LOOSE FOR FIELD LOCATING AND MTG. THE TIMER BOX REQUIRES 1 PH / 60 HZ / 115 VOLT ELECTRICAL CONNECTION.
- 6) ALL UNITS WILL HAVE 20' X 44' ACCESS DOORS.

REV.	DESCRIPTION	DATE BY
4/30/97	ARRANGEMENT II	MLD
<p>ULTRA INDUSTRIES, INC. 1908 DE KOVEN AVE. RACINE, WI 53403 PHONE: 414-633-5070 FAX: 414-633-5172</p>		
<p>GENERAL DIMENSIONS</p>		
MODEL	DRAWING NUMBER	REV.
CW 24 - 65 II	CW-24-65 II	0
(WALK-IN) TOP BAG REMOVAL		



NO. OF BAGS	BAG LENGTH (IN)	FILTER AREA (SQ. FT.)	NO. OF VALVES	SCFM OF AIR @ 100 PSI	WT LBS.	DOUTLET SIZES (DIA)	GENERAL DIMENSIONS					
							A	B	C	D	E	F
CW 80	84	880	10	13.0	3940	16"	8'-6"	7'-3"	15'-9"			
	100	1047	10	14.0	4320	16"	9'-10"	8'-7"	18'-5"		7'-1/4"	
CW 102	120	1257	11	15.0	4700	18"	11'-6"	10'-3"	21'-9"		2 1/4"	
	84	1122	11	13.5	4590	18"	8'-7"	7'-3"	15'-10"		8'-1/4"	
CW 124	100	1335	12	14.5	5000	20"	9'-11"	8'-7"	18'-6"		2 1/4"	
	120	1602	12	15.5	5410	20"	11'-7"	10'-3"	21'-10"		8'-1/4"	
CW 133	84	1363	12	14.0	5240	20"	8'-8"	7'-3"	15'-11"		8'-1/4"	
	100	1623	12	15.0	5680	22"	10'-0"	8'-7"	18'-7"		8 1/4"	
CW 164	120	1948	14	16.0	6120	22"	11'-8"	10'-3"	21'-11"		8 1/4"	
	84	1462	12	16.0	6120	22"	8'-9"	7'-3"	16'-0"		8 1/4"	
CW 164	100	1741	12	17.0	6610	24"	10'-1"	8'-7"	18'-8"		9'-1/4"	
	120	2089	14	18.0	7100	24"	11'-9"	10'-3"	22'-0"		2 1/4"	
CW 164	84	1803	14	18.6	8160	24"	8'-11"	7'-3"	16'-2"		10'-1/4"	
	100	2147	14	19.8	8640	26"	10'-3"	8'-7"	18'-10"		2 1/4"	
CW 164	120	2576	14	20.1	9120	26"	11'-11"	10'-3"	22'-2"		10'-1/4"	

OPTIONS AND ORIENTATIONS

OUTLET	*
ACCESS DOOR	*
WEATHERHOOD	*
FAN	*
INTERIOR PAINT	*

NOTES:

- 1) DESIGN PRESSURE UP TO +/- 17" Hg.
- 2) SHOP PAINT IS ONE COAT OF DIRECT-TO-METAL ENAMEL, SERIES 55, COLOR (SWB55W101SHG) ULTRA GRAY @ 1-1 1/2 MILS D.F.T., EXT. SURFACES.
- 3) AIR HEADER IS ALWAYS LOCATED AT 0 DEGREES.
- 4) A NEMA 4 SOLENOID BOX IS SUPPLIED. THE SOLENOID VALVES ARE PREWIRED TO THEIR RESPECTIVE TIMER OUTPUT TERMINALS. THE SOLENOID PORT IS PRE-CONNECTED TO ITS RESPECTIVE DIAPHRAGM VALVE RELIEF PORT USING POLY-FLOW TUBING.
- 5) A TIMER & NEMA 4 TIMER BOX IS SUPPLIED AND SHIPPED LOOSE FOR FIELD LOCATING AND MTG. THE TIMER BOX REQUIRES 1 PH / 60 HZ / 115 VOLT ELECTRICAL CONNECTION.
- 6) ALL UNITS WILL HAVE 20" X 44" ACCESS DOORS.

REV.	DESCRIPTION	DATE BY
4/30/97	ARRANGEMENT II	MLD
ULTRA INDUSTRIES, INC. 1908 DE KOVEN AVE. RACINE, WI 53403 PHONE: 414-633-5070 FAX: 414-633-5172		
CUSTOMER	DRAWING NUMBER	REV.
GENERAL DIMENSIONS	CW-80-164 II	0
MODEL	CW 80 - 164 II	
	(WALK-IN) TOP BAG REMOVAL	

ORIENTATION VIEW
LOCATING COMPONENTS

ANGLE RING BASE
2" X 2" X 3/16" ANGLE RING