

(8) 9/16" φ HOLES ON A 13 3/4" B.C.

- 1) DESIGN PRESSURE UP TO +/- 17" Hg.
- 2) SHOP PAINT: EXTERIOR SURFACES
ONE COAT OF DIRECT-TO-METAL ENAMEL, SERIES 55, COLOR COLDR (SWB55V101SHG) ULTRA GRAY @ 1-1 1/2 MILS D.F.T.
- 3) AIR HEADER IS ALWAYS LOCATED AT 0 DEGREES.
- 4) A NEMA 4 SOLENOID BOX IS SUPPLIED. THE SOLENOID VALVES ARE PREWIRED TO THEIR RESPECTIVE TIMER OUTPUT TERMINALS. THE SOLENOID PORT IS PRE-CONNECTED TO ITS RESPECTIVE DIAPHRAGM VALVE RELIEF PORT USING POLY-FLOW TUBING.
- 5) A TIMER & NEMA 4 TIMER BOX IS SUPPLIED AND SHIPPED LOOSE FOR FIELD LOCATING AND MTG. THE TIMER BOX REQUIRES 1 PH/60 HZ/115 VOLT ELECTRICAL CONNECTION.
- 6) COLLECTORS WITH NEGATIVE PRESSURE WILL USE WITTE CLAMPS AND COLLECTORS WITH POSITIVE PRESSURE WILL USE BOLTS TO FASTEN LIFT-OFF HEAD TO CLEAN AIR PLENUM.

NOTES:

NO. OF BAGS	BAG LENGTH (IN)	FILTER AREA (SQ. FT.)	NO. OF VALVES	SCFM OF AIR @ 100 PSI	WEIGHT LBS.	GENERAL DIMENSIONS				
						INLET & OUTLET SIZES (DIA)	A	B	C	D
CL 24	58	182	5	6.5	1370	6"	4'-0"	2'-2"	4'-10"	9'-11"
	84	264		6.9	1510	THRU	4'-0"	2'-2"	7'-0"	12'-1"
CL 34	100	314	6	7.2	1650	8"	4'-8"	2'-4"	8'-4"	13'-5"
	58	258		7.0	1720	8"	4'-8"	2'-4"	4'-10"	10'-8"
CL 48	84	374	6	8.0	1962	10"	4'-8"	2'-4"	7'-0"	12'-10"
	100	445		8.0	1962	10"	4'-8"	2'-4"	8'-4"	14'-2"
CL 58	58	364	8	10.3	2170	10"	5'-6"	2'-6"	4'-10"	11'-7"
	84	528		10.7	2320	THRU	5'-6"	2'-6"	7'-0"	13'-9"
CL 65	84	638	8	11.2	2560	12"	6'-0"	2'-8"	8'-4"	15'-1"
	100	759		11.8	2730	THRU	6'-0"	2'-8"	8'-4"	15'-8"
CL 65	120	940	9	12.6	2943	14"	6'-6"	2'-8"	10'-0"	17'-4"
	84	715		11.7	3100	14"	6'-6"	2'-8"	7'-0"	14'-9"
CL 65	100	851	9	12.1	3280	16"	6'-6"	2'-8"	8'-4"	16'-1"
	120	1021		12.7	3505	16"	6'-6"	2'-8"	10'-0"	17'-9"

OPTIONS AND ORIENTATIONS

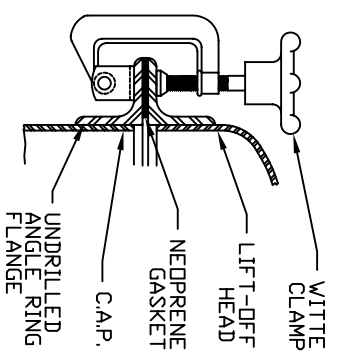
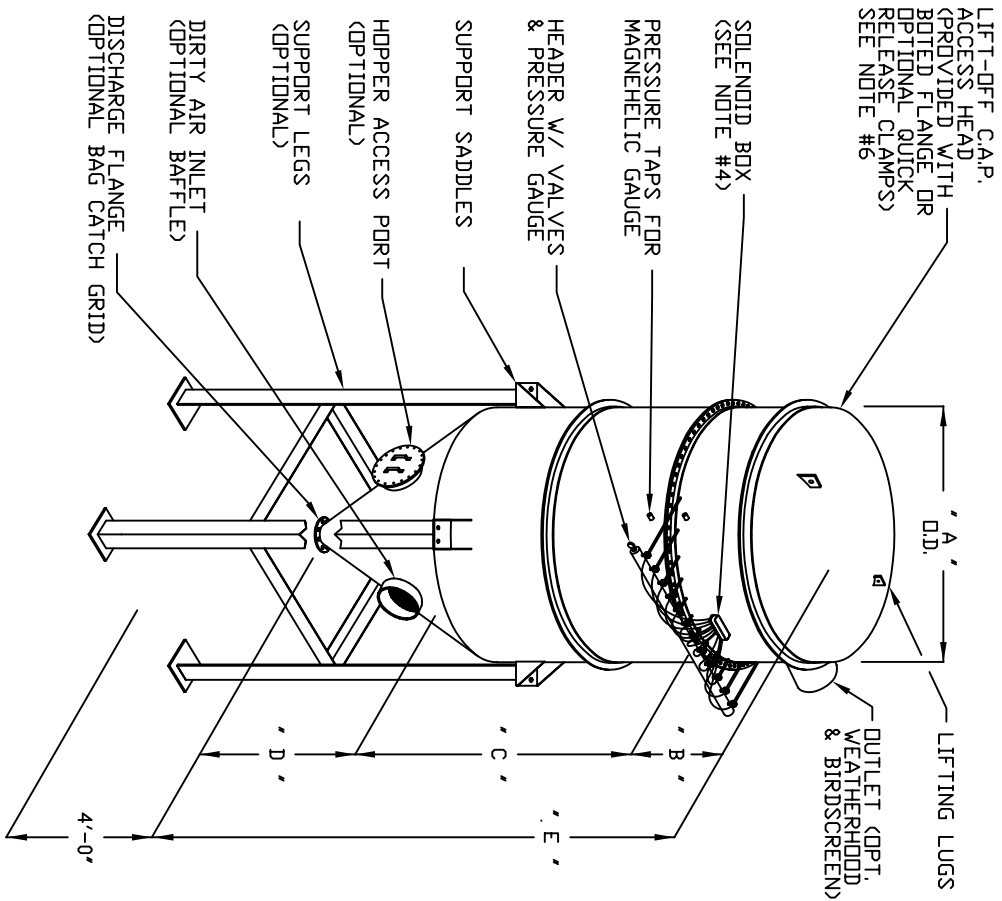
INLET	OUTLET	ACCESS PORT	LEGS	PLATFORM	LADDER	WEATHERHOOD	FAN	SLIDE GATE	VIBRATOR	ROTARY VALVE	BINDICATOR	POKE HOLE	INTERIOR PAINT
*	*	*	*	*	*	*	*	*	*	*	*	*	*

WITTE CLAMPS
OPTIONAL

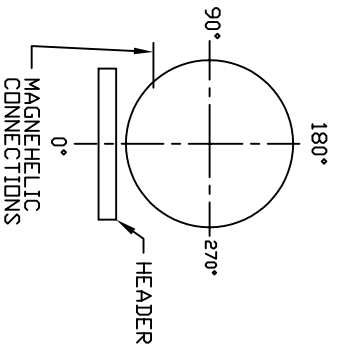
ORIENTATION
LOCATING COMPONENTS

DISCH. FLANGE
3/8" THK.

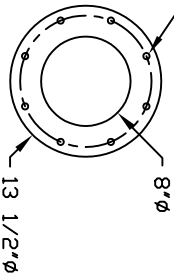
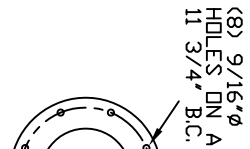
REV.	DESCRIPTION	DATE BY
4/30/97	ARRANGEMENT III	MLD
ULTRA INDUSTRIES, INC. 1908 DE KOVEN AVE. RACINE, WI 53403 PHONE: 414-633-5070 FAX: 414-633-5172		
CUSTOMER	GENERAL DIMENSIONS	
MODEL	CL 24 - 65 III TOP BAG REMOVAL	DRAWING NUMBER CL-24-65 III
REV.	0	



QUICK RELEASE CLAMPS



ORIENTATION LOCATING COMPONENTS



DISCHARGE FLANGE 3/8\"/>

NO. OF BAGS	BAG LENGTH (IN)	FILTER AREA (SQ. FT.) VALVES	NO. OF VALVES	SCFM OF AIR @ 100 PSI	WEIGHT LBS.	GENERAL DIMENSIONS				
						A	B	C	D	E
CL 84	84	880	10	130	4150	16"	7'-0"	2'-10"	7'-0"	15'-4"
CL 100	100	1047	10	140	4470	16"	7'-0"	2'-10"	7'-0"	16'-8"
CL 120	120	1257	10	150	4870	18"	7'-0"	2'-10"	7'-0"	18'-4"
CL 84	84	1122	11	135	4630	18"	7'-0"	3'-0"	7'-0"	16'-5"
CL 100	100	1335	11	145	4970	20"	8'-0"	3'-0"	7'-0"	17'-9"
CL 120	120	1602	11	155	5395	20"	8'-0"	3'-0"	7'-0"	19'-5"
CL 84	84	1363	12	140	5110	20"	8'-6"	3'-0"	7'-0"	16'-10"
CL 100	100	1623	12	150	5470	22"	8'-6"	3'-0"	7'-0"	18'-2"
CL 120	120	1948	12	160	5920	22"	8'-6"	3'-0"	7'-0"	19'-10"
CL 84	84	1462	13	160	6400	22"	9'-0"	3'-0"	7'-0"	17'-3"
CL 100	100	1741	13	170	6810	24"	9'-0"	3'-0"	7'-0"	18'-7"
CL 120	120	2089	13	180	7323	24"	9'-0"	3'-0"	7'-0"	20'-3"
CL 84	84	1803	14	186	8100	24"	10'-0"	3'-2"	7'-0"	18'-3"
CL 100	100	2147	14	198	8520	26"	10'-0"	3'-2"	7'-0"	19'-7"
CL 120	120	2576	14	201	9045	26"	10'-0"	3'-2"	7'-0"	21'-3"

OPTIONS AND ORIENTATIONS

INLET	OUTLET	ACCESS PORT	LEGS	PLATFORM	LADDER	WEATHERHOOD	FAN	SLIDE GATE	VIBRATOR	ROTARY VALVE	BINDICATOR	POKE HOLE	INTERIOR PAINT
*	*	*	*	*	*	*	*	*	*	*	*	*	*

NOTES:

- 1) DESIGN PRESSURE UP TO +/- 17' Hg.
- 2) SHOP PAINT: EXTERIOR SURFACES
- 3) ONE COAT OF DIRECT-TO-METAL ENAMEL, SERIES 55, COLOR COLOR (SWB55W101SHG) ULTRA GRAY @ 1-1 1/2 MILS D.F.T.
- 4) AIR HEADER IS ALWAYS LOCATED AT 0 DEGREES.
- 5) A NEMA 4 SOLENOID BOX IS SUPPLIED. THE SOLENOID VALVES ARE PREWIRED TO THEIR RESPECTIVE TIMER OUTPUT TERMINALS. THE SOLENOID PORT IS PRE-CONNECTED TO ITS RESPECTIVE DIAPHRAGM VALVE RELIEF PORT USING POLY-FLOW TUBING.
- 6) A TIMER & NEMA 4 TIMER BOX IS SUPPLIED AND SHIPPED LOOSE FOR FIELD LOCATING AND MTG. THE TIMER BOX REQUIRES 1 PH/60 HZ/115 VOLT ELECTRICAL CONNECTION.
- 7) COLLECTORS WITH NEGATIVE PRESSURE CAN USE QUICK RELEASE CLAMPS (OPTIONAL) AND COLLECTORS WITH POSITIVE PRESSURE WILL ONLY USE BOLTS TO FASTEN LIFT-OFF HEAD TO CLEAN AIR PLENUM.

REV. A	REMOVED DAVIT ARM ASSEMBLY	8-20-98
REV. B	DESCRIPTION	DATE
ULTRA INDUSTRIES, INC. 1908 DE KOVEN AVE. RACINE, WI 53403 PHONE: 414-633-5070 FAX: 414-633-5172		
UPDATED 4/30/97	SERIAL ARRANGEMENT III	APPROVED BY MLD
GENERAL DIMENSIONS		
CUSTOMER MODEL: CL 80 - 164 III	DRAWING NUMBER: CL-80-164 III	REV. A
TOP BAG REMOVAL		