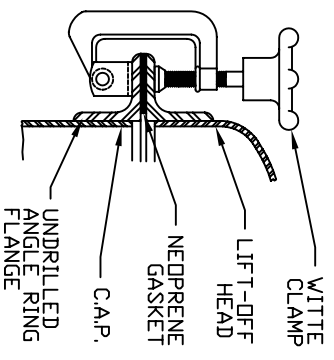
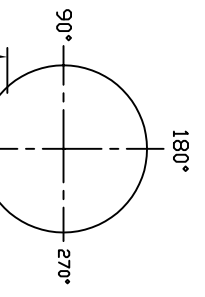


ANGLE RING BASE
 2" X 2" X 3/16" ANGLE RING



QUICK RELEASE CLAMPS

NO. OF BAGS	BAG LENGTH (IN)	FILTER AREA (SQ. FT.)	VALVES	SCFM OF COMP. AIR 100 PSI	WEIGHT LBS.	INLET & OUTLET SIZES (DIA)	GENERAL DIMENSIONS					
							A	B	C	D	E	F
CL 80	84	880	10	13.0	3450	16"	7'-0"	2'-10"	7'-0"	9'-10"	68	7'-1"
	100	1047		14.0	3770	THRU	8'-4"	11'-2"	8'-4"	11'-2"	84	2 1/4"
CL 102	84	1122	11	15.0	4170	18"	10'-0"	12'-10"	10'-0"	12'-10"	76	8'-1"
	100	1335		14.5	4360	THRU	8'-0"	3'-0"	8'-4"	11'-4"	80	2 1/4"
CL 124	84	1363	12	15.5	4785	20"	10'-0"	13'-0"	10'-0"	13'-0"	80	8'-1"
	100	1623		14.0	4590	THRU	8'-6"	3'-0"	8'-4"	11'-4"	84	2 1/4"
CL 133	84	1462	13	16.0	5350	22"	10'-0"	13'-0"	10'-0"	13'-0"	92	8'-1"
	100	1741		15.0	5180	THRU	9'-0"	3'-0"	8'-4"	11'-4"	84	2 1/4"
CL 164	84	1803	14	18.0	6272	24"	10'-0"	13'-0"	10'-0"	13'-0"	92	8'-1"
	100	2147		18.5	7100	THRU	10'-0"	3'-2"	8'-4"	11'-6"	92	2 1/4"
	120	2576		20.1	8000	26"	10'-0"	13'-2"	10'-0"	13'-2"	92	2 1/4"



ORIENTATION
 LOCATING COMPONENTS

OPTIONS & ORIENTATIONS

PLATFORM	*
LADDER	*
OUTLET	*
POKE HOLE	*
INTERIOR PAINT	*
ACCESS PORT	*

- NOTES:
- DESIGN PRESSURE UP TO +/- 17" Hg.
 - SHOP PAINT: EXTERIOR SURFACES ONE COAT OF DIRECT-TO-METAL ENAMEL, SERIES 55, COLOR COLOR (SWSB55W15HG) ULTRA GRAY @ 1-1 1/2 MILS D.F.I.
 - AIR HEADER IS ALWAYS LOCATED AT 0 DEGREES.
 - A NEMA 4 SOLENOID BOX IS SUPPLIED. THE SOLENOID VALVES ARE PREWIRED TO THEIR RESPECTIVE TIMER OUTPUT TERMINALS. THE SOLENOID PORT IS PRE-CONNECTED TO ITS RESPECTIVE DIAPHRAGM VALVE RELIEF PORT USING POLY-FLOW TUBING.
 - A TIMER & NEMA 4 TIMER BOX IS SUPPLIED AND SHIPPED LOOSE FOR FIELD LOCATING AND MFG. THE TIMER BOX REQUIRES 1 PH/60 HZ/115 VOLT ELECTRICAL CONNECTION.
 - COLLECTORS WITH NEGATIVE PRESSURE CAN USE QUICK RELEASE CLAMPS (OPTIONAL) AND COLLECTORS WITH POSITIVE PRESSURE WILL ONLY USE BOLTS TO FASTEN LIFT-OFF HEAD TO CLEAN AIR PLENUM.
 - ADD 4" TO D.A.P. LENGTH 'C', ON COLLECTORS WITH GRID PLATFORMS.

REV. A	REMOVED DAVIT ARM ASSEMBLY	11/10/98
REV. BY	DESCRIPTION	DATE
ULTRA INDUSTRIES, INC.		
1908 DE KOVEN AVE. RACINE, WI 53403		
PHONE: 414-633-5070 FAX: 414-633-5172		
UPDATED: 5/2/97	SERIAL: ARRANGEMENT II	APPROVED BY: MLD
GENERAL DIMENSIONS		
CUSTOMER: CL 80 - 164 II	DRAWING NUMBER: CL-80-164 II	REV. A
TOP BAG REMOVAL		