

"ULTRA FLOW" PULSE-JET CARTRIDGE COLLECTORS

**Model UVC
Vertical Cartridge Collector**



The "Ultra-Flo" UHC and UVC Cartridge Collectors are the perfect solution for your light loading applications for a variety of in plant air quality problems.

Compact design utilizes standard 12-3/4" diameter cartridges to offer more square feet of filter area per cubic foot of collector space. The modular design allows for multiple arrangements to handle airflows from 500 to 25,000 CFM.

- Rugged high efficiency cartridge elements in a variety of media types offers efficiency to 99.99%.

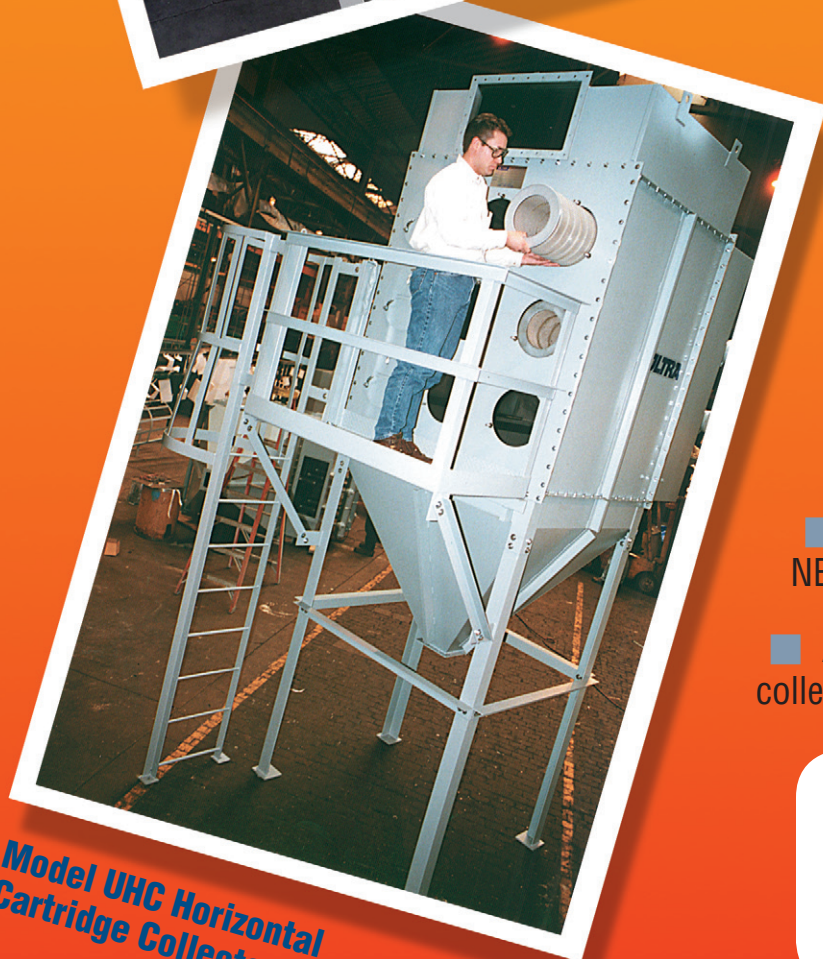
- Rugged 12 ga. construction stiffened for up to 20" W.C. with 7 ga. tube sheet for added strength and parallel cartridge alignment.

- Specialized inlet with diffusion baffle provides for even air flow distribution resulting in the reduction of turbulence, re-entrainment and abrasion with lower energy usage.

- Easy access to cartridges simplifies maintenance.

- Solid state sequential timer housed in a NEMA 4 enclosure.

- Available as a bin vent or as a stand alone collector with hopper.



**Model UHC Horizontal
Cartridge Collector**

ULTRA INDUSTRIES, INC.

2300 South Street

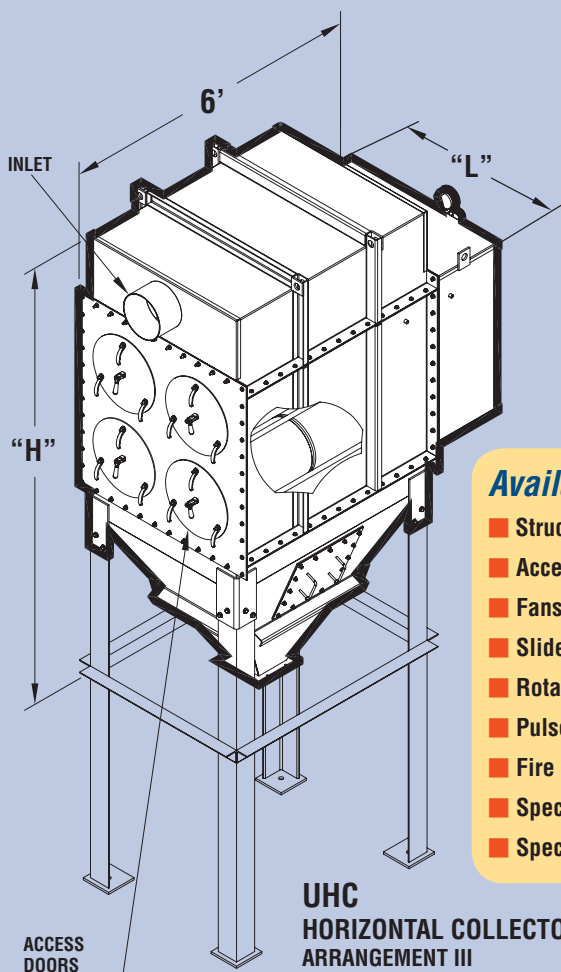
Racine, Wisconsin 53404-1567 USA

Ph: (800) 358-5872 Fax: (262) 633-5102

www.ultradustcollectors.com

Model UVC and UHC *Ultra-Flo* Pulse-Jet Cartridge Collectors

MODELS UVC and UHC "ULTRA-FLO"

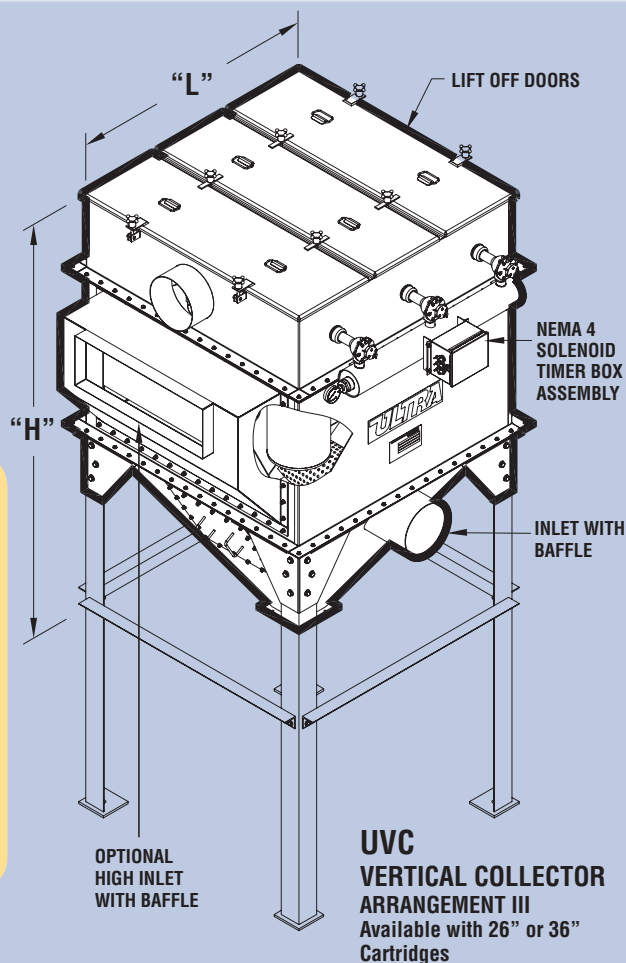


UHC
HORIZONTAL COLLECTOR
ARRANGEMENT III

UVC and UHC also available as bin vents (Arrangement II)

Available Options:

- Structural Support Legs
- Access Platform and Ladder
- Fans and Blowers
- Slide Gates with Drum Covers
- Rotary Airlocks
- Pulse on Demand Cleaning
- Fire and Explosion Relief Vents
- Special Alloys and Materials
- Special Paint and Coatings.



UVC
VERTICAL COLLECTOR
ARRANGEMENT III
Available with 26" or 36" Cartridges

MODEL UVC

MODEL NO.	UVC-2-226	UVC-4-313	UVC-9-226	UVC-9-313	UVC-16-226	UVC-16-313	UVC-25-226	UVC-25-313	UVC-36-226	UVC-36-313
NO. OF CARTRIDGES	4	4	9	9	16	16	25	25	36	36
AREA (SQ. FT)*	904	1252	2034	2817	3616	5008	5650	7825	8136	11268
LENGTH (L)	3'4"	3'4"	5'0"	5'0"	6'8"	6'8"	8'4"	8'4"	10'0"	10'0"
ARRANG II HEIGHT (H)	4'8"	5'6"	4'8"	5'6"	4'8"	5'6"	4'8"	5'6"	4'8"	5'6"
ARRANG III HEIGHT (H)	7'0"	7'10"	8'5"	9'3"	9'11"	10'9"	11'4"	12'2"	12'9"	13'7"

MODEL UHC

MODEL NO.	UHC-22	UHC-32	UHC-42	UHC-33	UHC-52	UHC-43	UHC-53	UHC-44	UHC-54	UHC-64
NO. OF CARTRIDGES	8	12	16	18	20	24	30	32	40	48
AREA (SQ. FT)*	1808	2712	3616	4068	4520	5424	6780	7232	9040	10848
LENGTH (L)	3'4"	5'0"	6'8"	5'0"	8'4"	6'8"	8'4"	6'8"	8'4"	10'0"
ARRANG II HEIGHT (H)	6'1"	6'1"	6'1"	7'9"	6'1"	7'9"	7'9"	9'5"	9'5"	9'5"
ARRANG III HEIGHT (H)	9'10"	9'10"	9'10"	11'6"	9'10"	11'6"	11'6"	13'2"	13'2"	13'2"

*Filter Areas Based on Cellulosic Filter Media. Other Filter Media Available.