

COLLECTOR BASE FLANGE  
FORMED 2' X 12 GA.

**CUSTOMER DATA**

AIR VOLUME \_\_\_\_\_  
 FILTER AREA \_\_\_\_\_  
 AIR/CLOTH RATIO \_\_\_\_\_  
 PRODUCT \_\_\_\_\_  
 TEMPERATURE \_\_\_\_\_  
 DUST LOADING \_\_\_\_\_

**CONSTRUCTION**

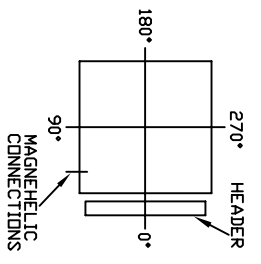
- MS (STANDARD)
- SS (DUST CONTACT)
- SS (GAS CONTACT)
- OTHER \_\_\_\_\_

**FILTER BAGS**

- STANDARD 16 OZ. PE
- OTHER \_\_\_\_\_

**OPTIONS & ORIENTATIONS**

- DUTILET
- BIRDSCREEN
- C.A.P. ACCESS
- D.A.P. ACCESS
- PLATFORM
- LADDER
- FAN
- LEVEL INDICATOR
- INTERIOR PAINT
- SUPPORT GRID
- EXPLOSION DOOR
- SUPT. SADDLE
- INSULATION
- SPRINKLER
- SOLENOID BOX
- PULSE ON DEMAND
- PRESSURE SWITCH
- OTHER \_\_\_\_\_



ORIENTATION VIEW  
FOR LOCATING COMPONENTS ONLY

**GENERAL DIMENSIONS**

NO. OF BAGS LGH (IN)	FILTER AREA (SQ. FT.)	NO. OF VALVES (DMP. AIR)	100 PSI (SCFM)	EST. WEIGHT (LBS.)	OUTLET SIZE (IN)							
					A	B	C	D	E	F	G	
BW 58	115	5.9	775	5.9	2'-8"	5'-10"	5'-4"	11'-2"				
BW 84	170	6.2	985	7.5	2'-8"	8'-0"	7'-6"	15'-6"				
16	203	6.4	1487	8.0	2'-8"	9'-4"	8'-10"	18'-2"				
BW 58	180	6.8	1114	7.0	3'-4"	5'-10"	5'-4"	11'-2"				
BW 25	245	7.5	1377	7.8	3'-4"	8'-0"	7'-6"	15'-6"				
BW 84	317	7.8	1856	11.0	3'-4"	9'-4"	8'-10"	18'-2"				
BW 58	259	8.2	1598	9.0	4'-0"	5'-10"	5'-4"	11'-2"				
BW 84	382	8.4	1981	8.4	4'-0"	8'-0"	7'-6"	15'-6"			50"	
BW 100	457	8.8	2255	12.0	4'-0"	9'-4"	8'-10"	18'-2"				52

**SHOP NOTES**

- 1) DESIGN PRESSURE UP TO +/- 20" W.G.
- 2) SHOP PAINT. ALL EXTERIOR MS SURFACES ONE COAT OF DIRECT-TO-METAL ENAMEL, SERIES 55, COLOR (S/WB55V101SHG) ULTRA GRAY @ 1-1 1/2 MILS D.F.T.
- 3) AIR HEADER IS ALWAYS LOCATED AT 0 DEGREES.
- 4) CLEAN AIR OUTLET CANNOT BE AT 0 DEGREES.
- 5) A NEMA 4 TIMER AND SOLENOID BOX ASSEMBLY IS SUPPLIED. THE SOLENOID VALVES ARE PREWIRED TO THEIR RESPECTIVE TIMER OUTPUT TERMINALS. THE SOLENOID PORT IS PRE-CONNECTED TO ITS RESPECTIVE DIAPHRAGM VALVE RELIEF PORT USING POLY-FLOW TUBING.
- 6) ALL UNITS WITH 58" & 84" FILTER BAGS WILL HAVE 20" X 44" HINGED ACCESS DOORS. ALL UNITS WITH 100" FILTER BAGS WILL HAVE 20" X 60" HINGED ACCESS DOORS.
- 7) STIFFENERS WILL BE USED ON (BW-36 & BW-25-100) UNITS ONLY.
- 8) GENERAL ARRANGEMENT IS TO BE USED FOR REFERENCE ONLY AND NOT FOR CONSTRUCTION UNLESS CERTIFIED BY CUSTOMER.

REV.	DESCRIPTION	DATE BY

UNITS \_\_\_\_\_ TOLERANCES \_\_\_\_\_  
 UNLESS OTHERWISE SPECIFIED, ALL FRACTIONAL \_\_\_\_\_ ANGULAR \_\_\_\_\_  
 DIMENSIONS ARE IN FEET & INCHES. ± 1/8" ± .5°

THIS MATERIAL IS THE SOLE PROPERTY OF ULTRA INDUSTRIES INC. AND SHALL NOT BE REPRODUCED, PUBLISHED OR DISCLOSED TO ANYONE WITHOUT OBTAINING THE WRITTEN AUTHORIZATION OF ULTRA INDUSTRIES INC.  
 NO BACKCHARGES FOR FIELD RELATED WORK OF ANY KIND WILL BE ACCEPTED UNLESS FIRST REQUESTED AND AGREED TO WITH WRITTEN AUTHORIZATION FROM ULTRA INDUSTRIES INC.



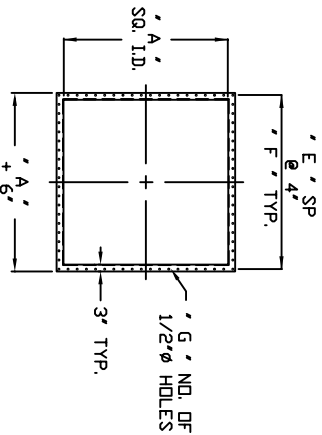
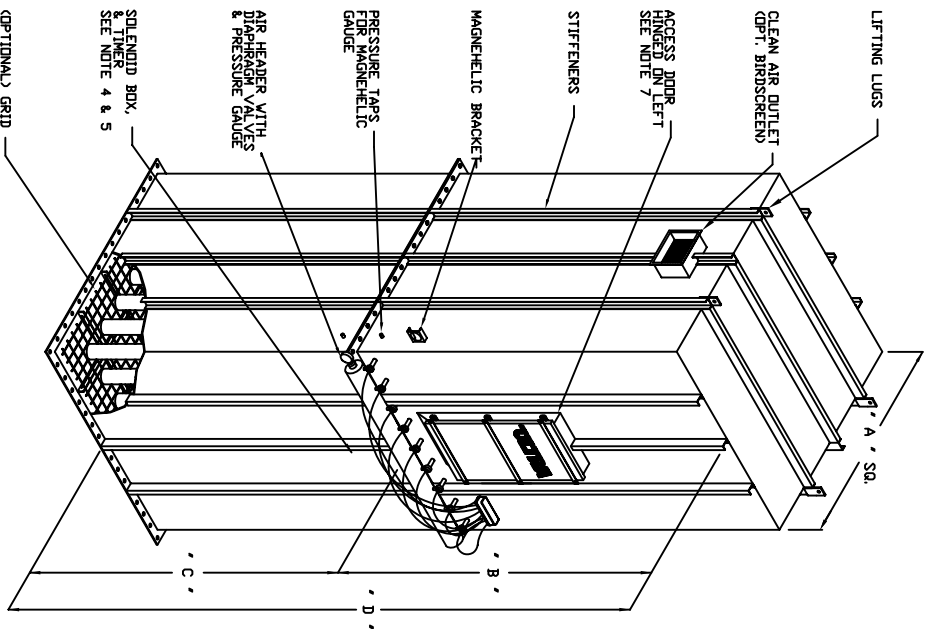
**ULTRA INDUSTRIES, INC.**  
 1908 DEKOVEN AVE. RACINE, WISCONSIN 53403  
 PHONE: 414/633-5070 FAX: 414/633-5102

FOR SPARE PARTS, CALL: 1-800-35ULTRA

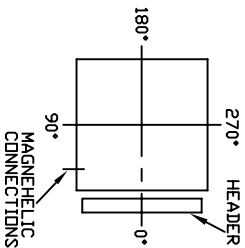
SCALE: N.T.S.	SERIAL NO.:	DRAWN BY: MLD
DATE: 1-99	ARRANGEMENT II	APPROVED BY:

**GENERAL ARRANGEMENT**

MODEL: BW-16 -- BB-36 COLLECTORS	DRAWING NUMBER: BW16-36 II	REV.: 0
TOP BAG REMOVAL-WALK IN		



**COLLECTOR BASE FLANGE**  
FORMED 2" X 12 GA.



**ORIENTATION VIEW**  
FOR LOCATING COMPONENTS ONLY

**CUSTOMER DATA**

AIR VOLUME  
FILTER AREA  
AIR/CLOTH RATIO  
PRODUCT  
TEMPERATURE  
DUST LOADING

**CONSTRUCTION**

MS (STANDARD)  
SS (DUST CONTACT)  
SS (GAS CONTACT)  
OTHER

**FILTER BAGS**

STANDARD 16 OZ. PE  
OTHER

**OPTIONS & ORIENTATIONS**

- DUTILET
- BIRDSCREEN
- CAP. ACCESS
- DAP. ACCESS
- PLATIFORM
- LADDER
- FAN
- LEVEL INDICATOR
- INTERIOR PAINT
- SUPPORT GRID
- EXPLOSION DOOR
- SUPP. SADDLE
- INSULATION
- SPRINKLER
- SOLENOID BOX
- PULSE ON DEMAND
- PRESSURE SWITCH
- OTHER

**GENERAL DIMENSIONS**

MODEL	NO. OF BAGS	BAG LENGTH (IN)	FILTER AREA (SQ. FT.)	NO. OF FILTERS	SPRM. AIR (100 PSI)	WEIGHT (LBS.)	OUTLET SIZES (IN)	GENERAL DIMENSIONS								
								A	B	C	D	E	F	G		
BW 49	84	539	100	641	9.8	3277	11"	7'-6"	7'-0"	7'-0"	14'-6"					
BW 64	100	641	120	770	10.5	3656	15"	5'-4"	8'-10"	8'-4"	17'-2"					
BW 81	84	704	84	938	12.0	4131	12" X 12"	7'-6"	7'-0"	7'-0"	14'-6"					
BW 100	100	1005	100	1005	12.8	4482	12" X 15"	8'-10"	8'-4"	8'-4"	17'-2"					
BW 121	120	1309	120	1309	13.1	4991	12" X 18"	10'-6"	10'-0"	10'-0"	20'-6"					
BW 100	84	891	84	891	13.5	4471	12" X 16"	7'-6"	7'-0"	7'-0"	14'-6"					
BW 100	100	1060	100	1060	14.0	4959	12" X 18"	8'-10"	8'-4"	8'-4"	20'-6"					
BW 100	100	1100	100	1100	14.5	5569	12" X 21"	10'-6"	10'-0"	10'-0"	24'-6"					
BW 100	100	1309	100	1309	15.0	4936	12" X 18"	7'-6"	7'-0"	7'-0"	14'-6"					
BW 100	120	1571	120	1571	15.5	5457	12" X 21"	8'-10"	8'-4"	8'-4"	17'-2"					
BW 121	84	1330	84	1330	16.0	6107	12" X 27"	10'-6"	10'-0"	10'-0"	20'-6"					
BW 121	100	1584	100	1584	17.0	5722	20" X 26"	7'-6"	7'-0"	7'-0"	14'-6"					
BW 121	120	1901	120	1901	18.0	7064	24" X 36"	8'-0"	8'-4"	8'-4"	14'-6"					

**SHOP NOTES**

- 1) DESIGN PRESSURE UP TO +/- 20" W.G.
- 2) SHOP PAINT. ALL EXTERIOR MS SURFACES ONE COAT OF DIRECT-TO-METAL ENAMEL, SERIES 55, COLOR (SWS5V101SHG) ULTRA GRAY @ 1-1 1/2 MILS D.F.T.
- 3) AIR HEADER IS ALWAYS LOCATED AT 0 DEGREES.
- 4) CLEAN AIR OUTLET CANNOT BE AT 0 DEGREES.
- 5) A NEMA 4 TIMER AND SOLENOID BOX ASSEMBLY IS SUPPLIED. THE SOLENOID VALVES ARE PREWIRED TO THEIR RESPECTIVE TIMER OUTPUT TERMINALS. THE SOLENOID PORT IS PRE-CONNECTED TO ITS RESPECTIVE DIAPHRAGM VALVE RELIEF PORT USING POLY-FLOW TUBING.
- 6) ALL UNITS WITH 58" & 84" FILTER BAGS WILL HAVE 20" X 44" HINGED ACCESS DOORS. ALL UNITS WITH 100" FILTER BAGS WILL HAVE 20" X 60" HINGED ACCESS DOORS.
- 7) STIFFENERS WILL BE USED ON CB-36 & BB-25-100D UNITS ONLY.
- 8) GENERAL ARRANGEMENT IS TO BE USED FOR REFERENCE ONLY AND NOT FOR CONSTRUCTION UNLESS CERTIFIED BY CUSTOMER.

REV.	DESCRIPTION	DATE BY

UNITS \_\_\_\_\_ TOLERANCES \_\_\_\_\_  
UNLESS OTHERWISE SPECIFIED, ALL FRACTIONAL \_\_\_\_\_  
DIMENSIONS ARE IN FEET & INCHES. ± 1/8" ANGULAR ± 5°

THIS MATERIAL IS THE SOLE PROPERTY OF ULTRA INDUSTRIES INC. AND SHALL NOT BE REPRODUCED, PUBLISHED OR DISCLOSED TO ANYONE WITHOUT OBTAINING THE WRITTEN AUTHORIZATION OF ULTRA INDUSTRIES INC.

NO BACKCHARGES FOR FIELD RELATED WORK OF ANY KIND WILL BE ACCEPTED UNLESS FIRST REQUESTED AND AGREED TO WITH WRITTEN AUTHORIZATION FROM ULTRA INDUSTRIES INC.



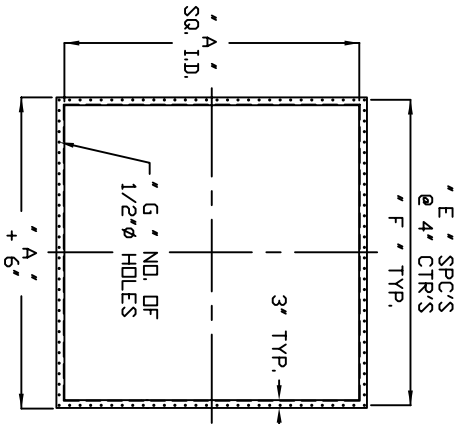
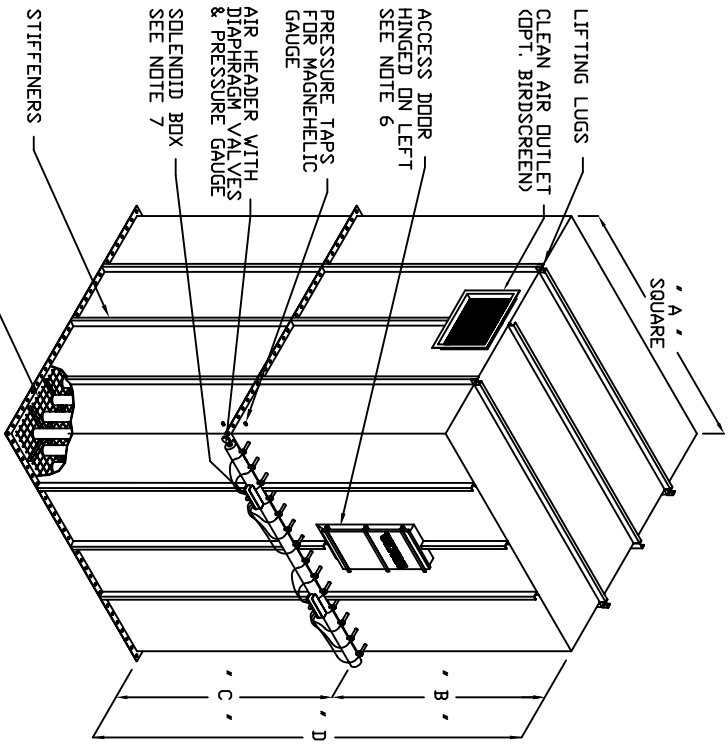
**ULTRA INDUSTRIES, INC.**  
1908 DEKOVEN AVE. RACINE, WISCONSIN 53403  
PHONE: 414/633-5070 FAX: 414/633-5102

FOR SPARE PARTS, CALL: 1-800-35ULTRA

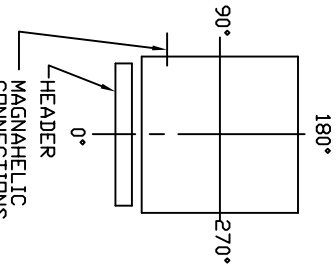
SCALE: N.T.S.	SERIAL NO.: ARRANGEMENT II	DRAWN BY: MLD
DATE: 1-99		APPROVED BY:

**GENERAL ARRANGEMENT**

MODEL: BW-49 -- BW-121 COLLECTORS	DRAWING NUMBER: BW49-121 II	REV.: 0
TOP BAG REMOVAL-WALK IN		



BASE FLANGE DETAIL



ORIENTATION VIEW FOR LOCATING COMPONENTS ONLY

NO. OF BAGS	BAG LENGTH (IN)	FILTER AREA (SQ. FT.)	NO. OF VALVES	SCFM OF AIR @ 100 PSI	WEIGHT (LBS.)	OUTLET SIZES (IN)	GENERAL DIMENSIONS					
							A	B	C	D	E	F
BW 144	84	1583	12	18.0	5722	20" X 26"	7'-6"	7'-0"	14'-6"	25	8'-4"	100
BW 169	84	1858	13	18.6	6319	20" X 26"	8'-10"	8'-4"	17'-2"	25	8'-4"	100
BW 196	84	2155	14	19.2	7064	24" X 36"	10'-6"	10'-0"	20'-6"	29	9'-8"	116
BW 225	84	2474	15	19.0	6447	24" X 36"	9'-4"	7'-0"	14'-6"	29	9'-8"	116
BW 256	84	2815	16	19.6	7076	24" X 36"	11'-4"	8'-10"	17'-2"	29	9'-8"	116
BW 256	100	2945	15	20.0	7862	24" X 32"	10'-6"	10'-0"	20'-6"	31	10'-4"	124
BW 256	100	3079	14	21.6	7318	24" X 26"	7'-6"	7'-0"	14'-6"	31	10'-4"	124
BW 256	120	3534	14	22.2	8023	24" X 30"	8'-10"	8'-4"	17'-2"	33	11'-0"	132
BW 256	120	3799	15	22.8	8904	24" X 36"	10'-6"	10'-0"	20'-6"	33	11'-0"	132
BW 256	120	4021	16	23.2	7910	24" X 30"	7'-6"	7'-0"	14'-6"	35	11'-8"	140
BW 256	120	4021	16	24.8	9568	26" X 36"	8'-10"	8'-4"	17'-2"	35	11'-8"	140
BW 256	120	4021	16	25.0	8306	26" X 40"	10'-6"	10'-0"	20'-6"	35	11'-8"	140
BW 256	120	4021	16	26.1	9076	26" X 42"	8'-10"	8'-4"	17'-2"	35	11'-8"	140
BW 256	120	4021	16	27.0	9922	26" X 44"	10'-6"	10'-0"	20'-6"	35	11'-8"	140

OPTIONS AND ORIENTATIONS

OUTLET	*
ACCESS DOOR	*
INTERIOR PAINT	*
WEATHERHOOD	*

PLATFORM	*
LADDER	*
FAN	*

- NOTES:
- DESIGN PRESSURE UP TO +/- 20' W.G.
  - SHOP PAINT IS ONE COAT OF DIRECT-TO-METAL ENAMEL, SERIES 55, COLOR (SW/55VA1015) GRAY @ 1-1/2 MILS D.F.T., EXT. SURFACES.
  - AIR HEADER IS ALWAYS LOCATED AT 0 DEGREES.
  - CLEAN AIR OUTLET CANNOT BE AT 0 DEGREES.
  - ALL UNITS WILL HAVE 20" X 44" ACCESS DOORS.
  - A NEMA 4 SOLENOID BOX IS SUPPLIED. THE SOLENOID VALVES ARE PREWIRED TO THEIR RESPECTIVE TIMER OUTPUT TERMINALS. THE SOLENOID PORT IS PRE-CONNECTED TO ITS RESPECTIVE DIAPHRAGM VALVE RELIEF PORT USING POLY-FLOW TUBING.
  - A TIMER & NEMA 4 TIMER BOX IS SUPPLIED AND SHIPPED LOOSE FOR FIELD LOCATING AND MTG. THE TIMER BOX REQUIRES 1 PH / 60 HZ / 115 VOLT ELECTRICAL CONNECTION.

REV.	DESCRIPTION	DATE BY
4/29/97	ARRANGEMENT II	MLD
<p><b>ULTRA</b> UTLRA INDUSTRIES, INC.          1908 DE KOVEN AVE. RACINE, WI 53403          PHONE: 414-633-5070 FAX: 414-633-5172</p>		
UPDATED:	SERIAL	APPROVED BY:
4/29/97	ARRANGEMENT II	MLD
<p>CUSTOMER: <b>GENERAL DIMENSIONS</b></p>		
MODEL:	DRAWING NUMBER	REV.
BW 144 - 256 II	BW-144-256 II	0
<p>TOP BAG REMOVAL</p>		